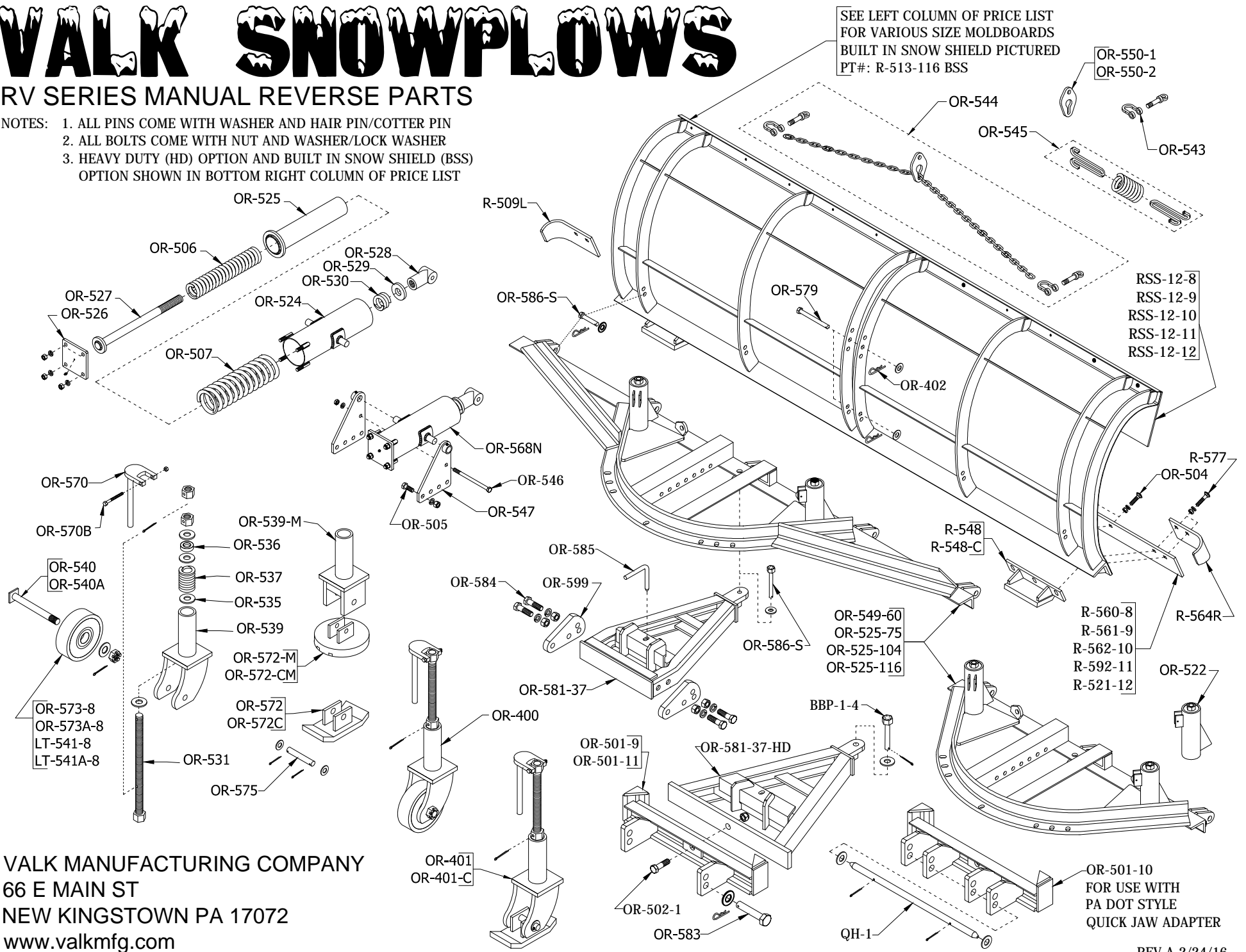


VALK SNOWPLOWS

RV SERIES MANUAL REVERSE PARTS

- NOTES: 1. ALL PINS COME WITH WASHER AND HAIR PIN/COTTER PIN
 2. ALL BOLTS COME WITH NUT AND WASHER/LOCK WASHER
 3. HEAVY DUTY (HD) OPTION AND BUILT IN SNOW SHIELD (BSS) OPTION SHOWN IN BOTTOM RIGHT COLUMN OF PRICE LIST



VALK MANUFACTURING COMPANY
 66 E MAIN ST
 NEW KINGSTOWN PA 17072
 www.valkmfg.com



RV SERIES MANUAL ANGLE SNOWPLOW PARTS PRICE LIST

PART	DESCRIPTION	PRICE	PART	DESCRIPTION	PRICE
OR-400	Caster Fork Assembly with Wheel	870.00	OR-537	Caster Spring	48.00
OR-401	Caster Fork Assembly with Shoe	670.00	OR-539	Caster Fork - Specify for 1" or 1-3/16" pin	360.00
OR-401-LS	Caster Fork Assembly Less Shoe	575.00	OR-539-M	Caster Fork, for Mushroom Shoe	360.00
OR-401-C	Caster Fork Assembly with Carbide Shoe	798.00	OR-540	Axle, 1"	52.00
OR-401-M	Caster Fork Assembly with Mushroom Shoe	715.00	OR-540A	Axle, 1-3/16"	59.00
OR-402	Hair Pin	1.60	LT-541-8	Poly Steel Wheel, 8" x 3" x 1"	410.00
OR-501-9	Swivel Bar Assy, 21" Pin Centers Standard	410.00	LT-541A-8	Poly Steel Wheel, 8" x 3" x 1-3/16"	390.00
OR-501-10	Swivel Bar Assy, 4 Lugs for Quick Rod	425.00	OR-543	Shackle	16.50
QH-1	Quick Rod with Washers & Cotters	79.00	OR-544	Lift Chain Assembly with Lolly Pop	130.00
OR-501-11	Swivel Bar Assy, 30-1/2" Pin Centers	410.00	OR-545	Lift Chain Spring with Hooks	84.00
OR-502-1	Swivel Bar Bolt, 1-1/4" x 5" with nut	35.00	OR-546	Plate Tie Bolt	35.00
OR-504	Cutting Edge Bolt	3.50	OR-547	Trunnion Plates (Pair)	239.00
OR-505	Trunnion Plate Bolt	6.50	R-548	Moldboard Shoe	132.00
OR-506	Inner Spring	145.00	R-548-C	Carbide Moldboard Shoe	285.00
OR-507	Outer Spring	235.00	OR-549-60	60" Manual Angle Semi-Circle Assembly	1450.00
R-509L	Curb Bumper, Left	90.00	OR-550-1	Lollypop - for 3/4" pin	21.00
R-511-116	Moldboard, 12' x 36", 116" Hinge Centers	2,800.00	OR-550-2	Lollypop - for 1" pin	21.00
R-511	Moldboard, 12' x 36", 75" Hinge Centers	2,800.00	R-560-8	Cutting Edge, 1/2" x 6" x 8' Std Hwy Punch	149.00
R-512-116	Moldboard, 12' x 30", 116" Hinge Centers	2,540.00	R-561-9	Cutting Edge, 1/2" x 6" x 9' Std Hwy Punch	168.00
R-512	Moldboard, 12' x 30", 75" Hinge Centers	2,540.00	R-562-10	Cutting Edge, 1/2" x 6" x 10' Std Hwy Punch	186.00
R-513-116	Moldboard, 11' x 36", 116" Hinge Centers	2,560.00	R-564R	Curb Bumper, Right	90.00
R-513	Moldboard, 11' x 36", 75" Hinge Centers	2,560.00	OR-568N	Trip Cylinder	1150.00
R-514-116	Moldboard, 11' x 30", 116" Hinge Centers	2,210.00	OR-570	Caster Handle with Bolt	67.00
R-514	Moldboard, 11' x 30", 75" Hinge Centers	2,210.00	OR-572	Wear Shoe	134.00
R-515-116	Moldboard, 10' x 36", 116" Hinge Centers	2,190.00	OR-572-C	Carbide Shoe	290.00
R-515	Moldboard, 10' x 36", 75" Hinge Centers	2,190.00	OR-572-M	1-1/2" x 12" Mushroom Shoe	205.00
R-516	Moldboard, 10' x 36", 60" Hinge Centers	2,190.00	OR-572-CM	Carbide Mushroom Shoe, 1-1/2" x 12"	320.00
R-517-116	Moldboard, 10' x 30", 116" Hinge Centers	1,900.00	OR-573-8	Wheel, 8" x 3" x 1"	325.00
R-517	Moldboard, 10' x 30", 75" Hinge Centers	1,900.00	OR-573A-8	Wheel, 8" x 3" x 1-3/16"	305.00
R-518	Moldboard, 10' x 30", 60" Hinge Centers	1,900.00	OR-575	Wear Shoe Pin	30.00
R-519-104	Moldboard, 9' x 30", 104" Hinge Centers	1,650.00	R-577	Curb Bumper Bolt	4.90
R-519	Moldboard, 9' x 30", 60" Hinge Centers	1,650.00	OR-579	Connector Pin	18.00
R-519-36	Moldboard, 9' x 36", 60" Hinge Centers	1,850.00	OR-581-37	37" Manual Angle Push Frame (A-Frame)	1140.00
R-519-36-104	Moldboard, 9' x 36", 104" Hinge Centers	1,850.00	OR-581-37-HD	Heavy Duty Manual Angle Push Frame (A-Frame)	1600.00
R-520	Moldboard, 8' x 30", 60" Hinge Centers	1,450.00	OR-583	Connector Block Pin	32.00
R-523-116	Moldboard, 10' x 42", 116" Hinge Centers	2,290.00	OR-584	Connector Block Bolt	11.50
R-532-116	Moldboard, 11' x 42", 116" Hinge Centers	2,650.00	OR-585	Semi-Circle Lock Pin	32.50
R-533-116	Moldboard, 12' x 42", 116" Hinge Centers	2,900.00	OR-586-S	King Pin, (Short)	17.00
R-521-12	Cutting Edge, 1/2" x 6" x 12' Std Hwy Punch	220.00	BBP-1-4	Bolt Blank Pin, 1" x 4"	23.00
OR-522	Caster Housing with Nut	160.00	R-592-11	Cutting Edge, 1/2" x 6" x 11' Std Hwy Punch	205.00
OR-524	Trip Cylinder Housing	245.00	OR-599	Connector Block	104.00
OR-525	Inside Tube Assembly	235.00	S-594-28	28" End Marker, (Pair)	50.00
OR-525-75	75" Manual Angle Semi-Circle Assembly	1,550.00	S-594-36	36" End Marker, (Pair)	57.00
OR-525-104	104" Manual Angle Semi-Circle Assembly	1,650.00	RSS-12-8	Rubber Snow Shield, 3/8" x 12" x 8'	120.00
OR-525-116	116" Manual Angle Semi-Circle Assembly	1,700.00	RSS-12-9	Rubber Snow Shield, 3/8" x 12" x 9'	135.00
OR-526	Trip Cylinder Back Plate	93.00	RSS-12-10	Rubber Snow Shield, 3/8" x 12" x 10'	150.00
OR-527	Trip Cylinder Rod	105.00	RSS-12-11	Rubber Snow Shield, 3/8" x 12" x 11'	165.00
OR-528	Tee Connector	160.00	RSS-12-12	Rubber Snow Shield, 3/8" x 12" x 12'	180.00
OR-529	Seperator Ring	18.00	M-500 3 WAY	Electric Hydraulic Pump, Manual Controls	990.00
OR-530	Cushion Spring	54.00	M-503	Electric Hydraulic Pump, Electric Controls	1225.00
OR-531	Caster Stem	84.00	Moldboard Option	BSS - Built-in Snow Shield on any Moldboard	110.00
OR-535	Caster Washer	1.65	Moldboard Option	HD - 4"x4"x5/8" Bottom Angle On Any Moldboard	110.00
OR-536	Thrust Bearing	21.00	Semi-Circle Option	HD - 5/8" Angle On Any Semi-Circle	125.00

PRICES EFFECTIVE 9/1/14

VALK MANUFACTURING COMPANY
P.O. BOX 428
NEW KINGSTOWN, PA 17013

WEBSITE: www.valkmfg.com
e-mail: plowsales@valkmfg.com

PHONE: (717)-766-0711
FAX: (717)697-6297

VALK MANUFACTURING COMPANY

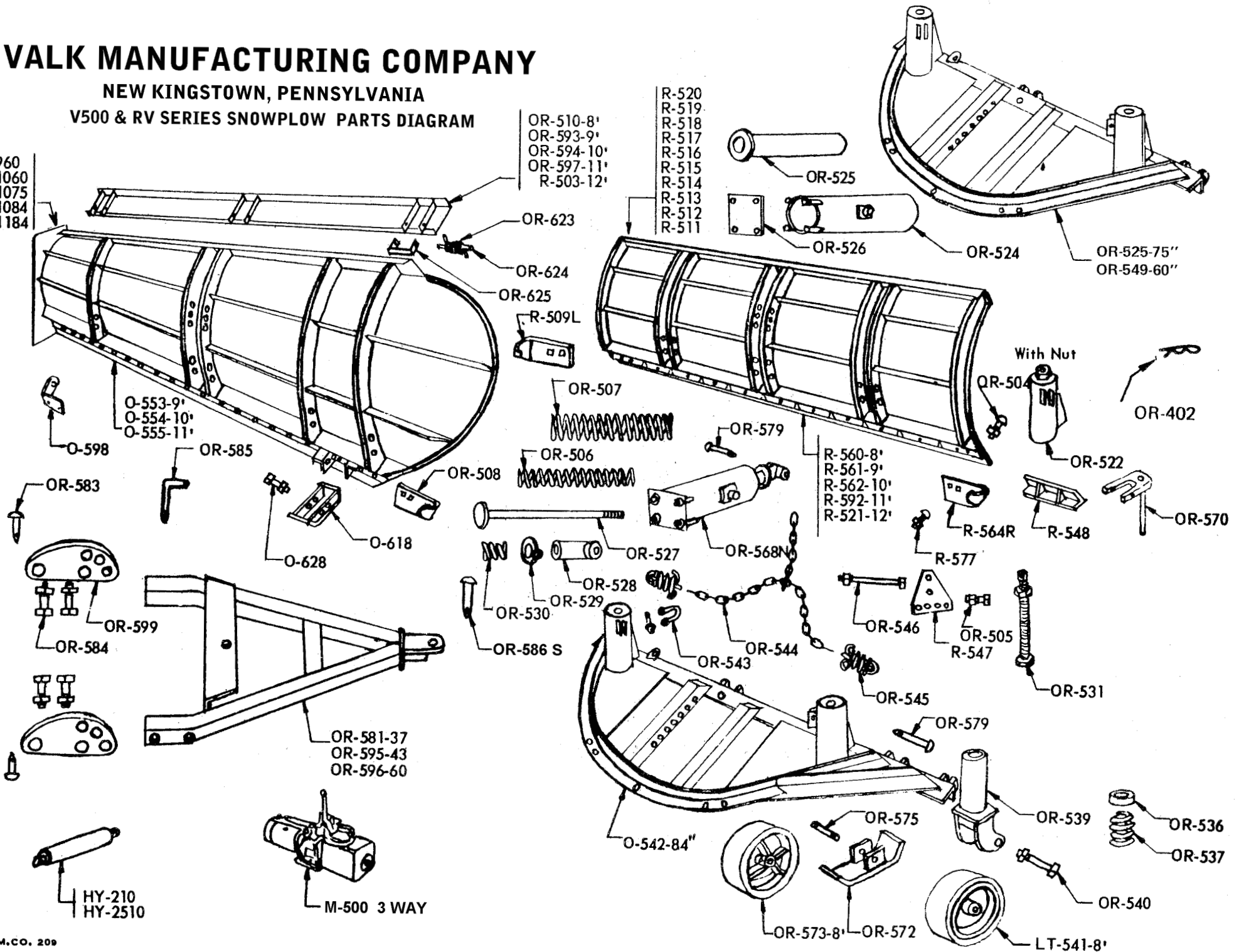
NEW KINGSTOWN, PENNSYLVANIA

V500 & RV SERIES SNOWPLOW PARTS DIAGRAM

O-960
O-1060
O-1075
O-1084
O-1184

OR-510-8'
OR-593-9'
OR-594-10'
OR-597-11'
R-503-12'

R-520
R-519
R-518
R-517
R-516
R-515
R-514
R-513
R-512
R-511





V500 AND RV MANUAL ANGLE SNOWPLOW PARTS PRICE LIST

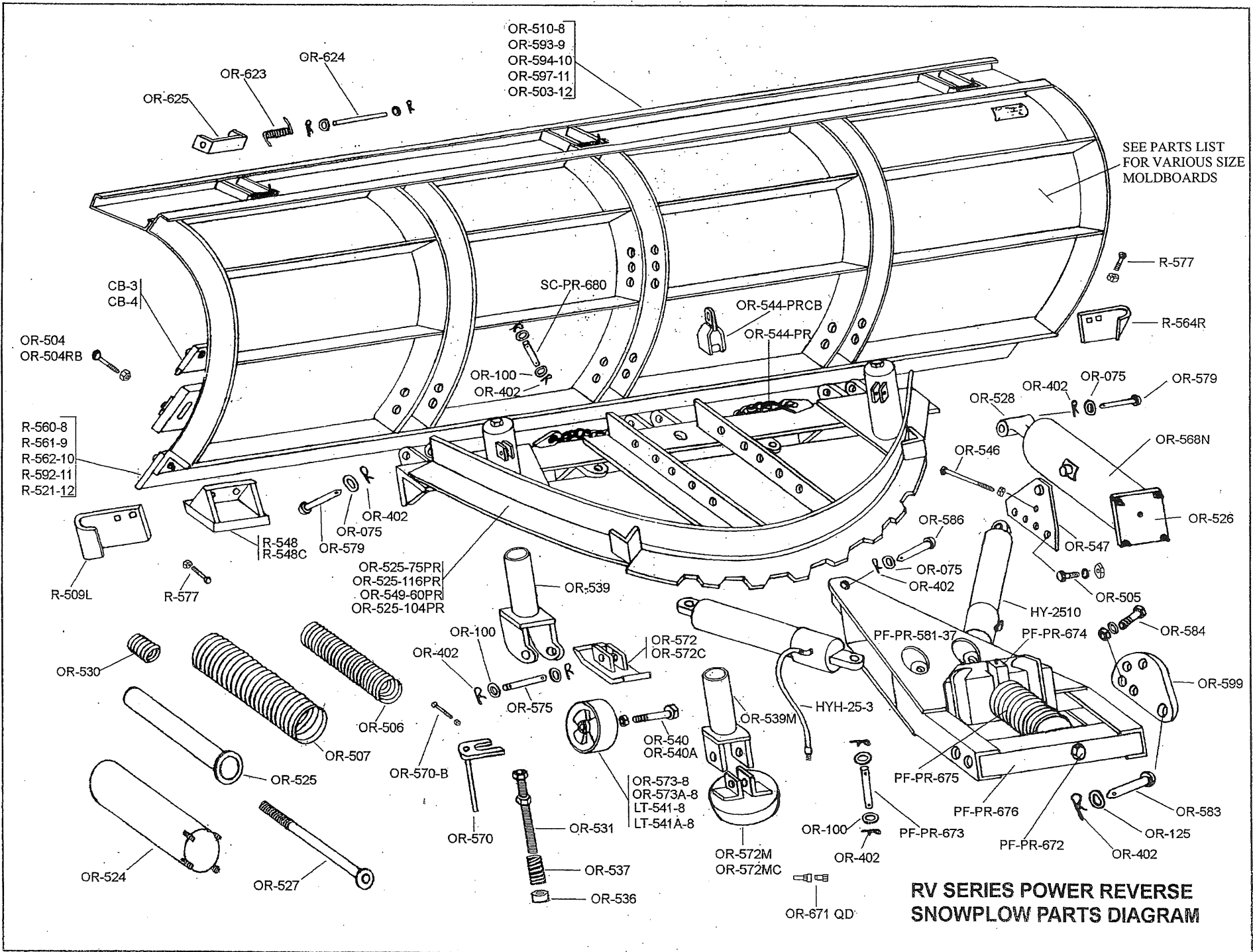
PART	DESCRIPTION	PRICE	PART	DESCRIPTION	PRICE
OR-400	Caster Fork Assembly with Wheel	870.00	OR-543	Shackel	16.50
OR-401	Caster Fork Assembly with Shoe	670.00	OR-544	Lift Chain Assembly with Lolly Pop	130.00
OR-401-C	Caster Fork Assembly with Carbide Shoe	798.00	OR-545	Lift Chain Spring with Hooks	84.00
OR-401-M	Caster Fork Assembly with Mushroom Shoe	715.00	OR-546	Plate Tie Bolt	35.00
OR-402	Hair Pin	1.60	OR-547	Trunnion Plates (Pair)	239.00
OR-503-12	Snow Shield, 12' Hinged Style	485.00	R-548	Moldboard Shoe	132.00
OR-504	Cutting Edge Bolt	3.50	OR-549-60	60" Manual Angle Semi-Circle Assembly	1450.00
OR-505	Trunnion Plate Bolt	6.50	O-553-9	One Way Cutting Edge, 1/2" x 6" x 110-3/4"	177.00
OR-506	Inner Spring	145.00	O-554-10	One Way Cutting Edge, 1/2" x 6" x 122-3/4"	193.00
OR-507	Outer Spring	235.00	O-555-11	One Way Cutting Edge, 1/2" x 6" x 134-3/4"	210.00
O-508	One Way Curb Bumper - Passanger Side	90.00	R-560-8	Cutting Edge, 1/2" x 6" x 8'	149.00
R-509L	Curb Bumper, Left	90.00	R-561-9	Cutting Edge, 1/2" x 6" x 9'	168.00
OR-510-8	Snow Shield, 8' Hinged Style	325.00	R-562-10	Cutting Edge, 1/2" x 6" x 10'	186.00
R-511-116	Moldboard, 12' x 36", 116" Hinge Centers	2,800.00	R-564R	Curb Bumper, Right	90.00
R-511	Moldboard, 12' x 36", 75" Hinge Centers	2,800.00	OR-568N	Trip Cylinder	1150.00
R-512-116	Moldboard, 12' x 30", 116" Hinge Centers	2,540.00	OR-570	Caster Handle with Bolt	67.00
R-512	Moldboard, 12' x 30", 75" Hinge Centers	2,540.00	OR-572	Wear Shoe	134.00
R-513-116	Moldboard, 11' x 36", 116" Hinge Centers	2,560.00	OR-572-C	Carbide Shoe Not Pictured	290.00
R-513	Moldboard, 11' x 36", 75" Hinge Centers	2,560.00	OR-572-M	1-1/2" x 12" Mushroom Shoe	205.00
R-514-116	Moldboard, 11' x 30", 116" Hinge Centers	2,210.00	OR-573-8	Wheel, 8" x 3" x 1"	325.00
R-514	Moldboard, 11' x 30", 75" Hinge Centers	2,210.00	OR-573A-8	Wheel, 8" x 3" x 1-3/16"	305.00
R-515-116	Moldboard, 10' x 36", 116" Hinge Centers	2,190.00	OR-575	Wear Shoe Pin	30.00
R-515	Moldboard, 10' x 36", 75" Hinge Centers	2,190.00	R-577	Curb Bumper Bolt	4.90
R-516	Moldboard, 10' x 36", 60" Hinge Centers	2,190.00	OR-579	Connector Pin	18.00
R-517-116	Moldboard, 10' x 30", 116" Hinge Centers	1,900.00	OR-581-37	37" Manual Angle Push Frame (A-Frame)	1140.00
R-517	Moldboard, 10' x 30", 75" Hinge Centers	1,900.00	OR-583	Connector Block Pin	32.00
R-518	Moldboard, 10' x 30", 60" Hinge Centers	1,900.00	OR-584	Connector Block Bolt	11.50
R-519-104	Moldboard, 9' x 30", 104" Hinge Centers	1,650.00	OR-585	Semi-Circle Lock Pin	32.50
R-519	Moldboard, 9' x 30", 60" Hinge Centers	1,650.00	OR-586 S	King Pin, (Short)	17.00
R-520	Moldboard, 8' x 30", 60" Hinge Centers	1,450.00	R-592-11	Cutting Edge, 1/2" x 6" x 11'	205.00
R-523-116	Moldboard, 10' x 42", 116" Hinge Centers	2,290.00	OR-593-9	Snow Shield, 9' Hinged Style	365.00
R-532-116	Moldboard, 11' x 42", 116" Hinge Centers	2,650.00	OR-594-10	Snow Shield, 10' Hinged Style	410.00
R-533-116	Moldboard, 12' x 42", 116" Hinge Centers	2,900.00	OR-597-11	Snow Shield, 11' Hinged Style	450.00
R-521-12	Cutting Edge, 1/2" x 6" x 12'	220.00	O-598	Nose Piece	132.00
OR-522	Caster Housing with Nut	160.00	OR-599	Connector Block	104.00
OR-524	Trip Cylinder Housing	245.00	O-618	Moldboard Shoe - Discharge End Only	145.00
OR-525	Inside Tube Assembly	235.00	OR-623	Hinge Spring	13.50
OR-525-75	75" Manual Angle Semi-Circle Assembly	1,550.00	OR-624	Hinge Pin	12.00
OR-525-104	104" Manual Angle Semi-Circle Assembly	1,650.00	OR-625	Hinge Bracket	25.00
OR-525-116	116" Manual Angle Semi-Circle Assembly	1,700.00	O-628	Moldboard Shoe Bolt	6.50
OR-526	Trip Cylinder Back Plate	93.00	O-960	One Way Moldboard, 9' x 27"-43", 60" Hinge	2350.00
OR-527	Trip Cylinder Rod	105.00	O-1060	One Way Moldboard, 10' x 27"-47", 60" Hinge	2690.00
OR-528	Tee Connector	160.00	O-1075	One Way Moldboard, 10' x 27"-47", 75" Hinge	2790.00
OR-529	Seperator Ring	18.00	O-1084	One Way Moldboard, 10' x 27"-47", 84" Hinge	2890.00
OR-530	Cushion Spring	54.00	O-1184	One Way Moldboard, 11' x 29"-49", 84" Hinge	2990.00
OR-531	Caster Stem	84.00	HY-210	2" x 10" S.A. Hydraulic Cylinder	330.00
OR-536	Thrust Bearing	21.00	HY-2510	2-1/2" x 10" S.A. Hydraulic Cylinder	390.00
OR-537	Caster Spring	48.00	HY-310	3" x 10" S.A. Hydraulic Cylinder	495.00
OR-539	Caster Fork	360.00	M-500 3 WAY	Electric Hydraulic Pump, Manual Controls	990.00
OR-540	Axle, 1"	52.00	M-503	Electric Hydraulic Pump, Electric Controls	1225.00
OR-540A	Axle, 1-3/16"	59.00	S-594-28	28" End Marker, (Pair)	50.00
LT-541A-8	Poly Steel Wheel, 8" x 3" x 1-3/16"	390.00	S-594-36	36" End Marker, (Pair)	57.00
O-542-84	84" Manual Angle Semi-Circle Assembly	1,600.00			

PRICES EFFECTIVE 9/1/14

VALK MANUFACTURING COMPANY
P.O. BOX 428
NEW KINGSTOWN, PA 17013

WEBSITE: www.valkmfg.com
e-mail: plowsales@valkmfg.com

PHONE: (717)-766-0711
FAX: (717)697-6297



OR-510-8
 OR-593-9
 OR-594-10
 OR-597-11
 OR-503-12

SEE PARTS LIST
 FOR VARIOUS SIZE
 MOLDBOARDS

R-560-8
 R-561-9
 R-562-10
 R-592-11
 R-521-12

OR-525-75PR
 OR-525-116PR
 OR-549-60PR
 OR-525-104PR

OR-573-8
 OR-573A-8
 LT-541-8
 LT-541A-8

**RV SERIES POWER REVERSE
 SNOWPLOW PARTS DIAGRAM**



VALK SNOWPLOWS

RV SERIES POWER REVERSE "LOCKING" SNOWPLOW PARTS PRICE LIST

PART	DESCRIPTION	PRICE	PART	DESCRIPTION	PRICE
OR-075	Washer	1.30	OR-539-M	Caster Fork, for Mushroom Shoe	360.00
OR-100	Washer	1.40	OR-540	Axle, 1"	52.00
OR-125	Washer	1.50	OR-540A	Axle, 1-3/16"	59.00
OR-252	Cotter Pin	1.15	LT-541A-8	Poly Steel Wheel, 8" x 3" x 1-3/16"	390.00
OR-400	Caster Fork Assembly with Wheel	870.00	OR-543	Shackel	16.50
OR-401	Caster Fork Assembly with Shoe	670.00	OR-544-PR	Lift Chain Assembly with Slip Block	168.00
OR-401-C	Caster Fork Assembly with Carbide Shoe	798.00	OR-544-PR-CB	Lift Chain Slip Block	89.00
OR-401-M	Caster Fork Assembly with Mushroom Shoe	715.00	OR-545	Lift Chain Spring with Hooks	84.00
OR-402	Hair Pin	1.60	OR-546	Plate Tie Bolt	35.00
OR-503-12	Snow Shield, 12' Hinged Style	485.00	OR-547	Trunnion Plates (Pair)	239.00
OR-504	Cutting Edge Bolt	3.50	R-548	Moldboard Shoe	132.00
OR-504RB	Rubber Cutting Edge Bolt	5.90	R-548-C	Carbide Moldboard Shoe	285.00
OR-505	Trunnion Plate Bolt	6.50	OR-549-60PR	60" Power Reverse Semi-Circle Assembly	1750.00
OR-506	Inner Spring	145.00	R-560-8	Cutting Edge, 1/2" x 6" x 8' Std Hwy Punch	149.00
OR-507	Outer Spring	235.00	R-561-9	Cutting Edge, 1/2" x 6" x 9' Std Hwy Punch	168.00
R-509L	Curb Bumper, Left	90.00	R-562-10	Cutting Edge, 1/2" x 6" x 10' Std Hwy Punch	186.00
OR-510-8	Snow Shield, 8' Hinged Style	325.00	R-564R	Curb Bumper, Right	90.00
R-511-116	Moldboard, 12' x 36", 116" Hinge Centers	2,800.00	OR-568N	Trip Cylinder	1150.00
R-511	Moldboard, 12' x 36", 75" Hinge Centers	2,800.00	OR-570	Caster Handle with Bolt	67.00
R-512-116	Moldboard, 12' x 30", 116" Hinge Centers	2,540.00	OR-572	Wear Shoe	134.00
R-512	Moldboard, 12' x 30", 75" Hinge Centers	2,540.00	OR-572-C	Carbide Shoe	290.00
R-513-116	Moldboard, 11' x 36", 116" Hinge Centers	2,560.00	OR-572-M	1-1/2" x 12" Mushroom Shoe	205.00
R-513	Moldboard, 11' x 36", 75" Hinge Centers	2,560.00	OR-572-CM	1-1/2" x 12" Carbide Mushroom Shoe	320.00
R-514-116	Moldboard, 11' x 30", 116" Hinge Centers	2,210.00	OR-573-8	Wheel with Bearings, 8" x 3" x 1"	325.00
R-514	Moldboard, 11' x 30", 75" Hinge Centers	2,210.00	OR-573A-8	Wheel with Bearings, 8" x 3" x 1-3/16"	305.00
R-515-116	Moldboard, 10' x 36", 116" Hinge Centers	2,190.00	OR-575	Wear Shoe Pin	30.00
R-515	Moldboard, 10' x 36", 75" Hinge Centers	2,190.00	R-577	Curb Bumper Bolt	4.90
R-516	Moldboard, 10' x 36", 60" Hinge Centers	2,190.00	OR-579	Connector Pin	18.00
R-517-116	Moldboard, 10' x 30", 116" Hinge Centers	1,900.00	PF-PR-581-37	37" Power Reverse Push Frame	2190.00
R-517	Moldboard, 10' x 30", 75" Hinge Centers	1,900.00	OR-583	Connector Block Pin	32.00
R-518	Moldboard, 10' x 30", 60" Hinge Centers	1,900.00	OR-584	Connector Block Bolt	11.50
R-519-104	Moldboard, 9' x 30", 104" Hinge Centers	1,650.00	OR-586-L	King Pin, (Long)	18.00
R-519	Moldboard, 9' x 30", 60" Hinge Centers	1,650.00	R-592-11	Cutting Edge, 1/2" x 6" x 11' Std Hwy Punch	205.00
R-520	Moldboard, 8' x 30", 60" Hinge Centers	1,450.00	OR-593-9	Snow Shield, 9' Hinged Style	365.00
R-523-116	Moldboard, 10' x 42", 116" Hinge Centers	2,290.00	OR-594-10	Snow Shield, 10' Hinged Style	410.00
R-532-116	Moldboard, 11' x 42", 116" Hinge Centers	2,650.00	OR-597-11	Snow Shield, 11' Hinged Style	450.00
OPTION	BSS - Built-in Snow Shield on any Moldboard	110.00	OR-599	Connector Block	104.00
OPTION	HD - 4"x4"x5/8" Bottom Angle On Any Moldboard	110.00	OR-623	Hinge Spring	13.50
R-521-12	Cutting Edge, 1/2" x 6" x 12' Std Hwy Punch	220.00	OR-624	Hinge Pin	12.00
OR-522	Caster Housing with Nut	160.00	OR-625	Hinge Bracket	25.00
OR-524	Trip Cylinder Housing	245.00	OR-671 QD	Quick Disconnect Set 3/8" (1 Male, 1 Female)	54.00
OR-525	Inside Tube Assembly	235.00	PF-PR-672	Compression Spring Bolt	29.00
OR-525-75PR	75" Power Reverse Semi-Circle Assembly	1,800.00	PF-PR-673	Cylinder Pin	17.00
OR-525-104PR	104" Power Reverse Semi-Circle Assembly	1,900.00	PF-PR-674	Latch Block Assembly	920.00
OR-525-116PR	116" Power Reverse Semi-Circle Assembly	1,950.00	PF-PR-675	Compression Spring	119.00
OR-526	Trip Cylinder Back Plate	93.00	PF-PR-676	Back Channel	115.00
OR-527	Trip Cylinder Rod	105.00	SC-PR-680	Cylinder Pin	17.00
OR-528	Tee Connector	160.00	HY-210	2" x 10" S.A. Hydraulic Cylinder	330.00
OR-529	Seperator Ring	18.00	HY-2510	2-1/2" x 10" S.A. Hydraulic Cylinder	390.00
OR-530	Cushion Spring	54.00	HY-310	3" x 10" S.A. Hydraulic Cylinder	495.00
OR-531	Caster Stem	84.00	M-500 7 W/F	Electric Hydraulic Pump, Manual Controls	1450.00
OR-536	Thrust Bearing	21.00	M-679	Electric Hydraulic Pump, Electric Controls	2550.00
OR-537	Caster Spring	48.00	M-3579	Electric Hydraulic Pump, Electric Controls	1650.00
OR-539	Caster Fork	360.00	S-594-36	36" End Marker, (Pair)	57.00

PRICES EFFECTIVE 9/1/14

VALK MANUFACTURING COMPANY
P.O. BOX 428
NEW KINGSTOWN, PA 17013

WEBSITE: www.valkmfg.com
e-mail: plowsales@valkmfg.com

PHONE: (717)-766-0711
FAX: (717)697-6297

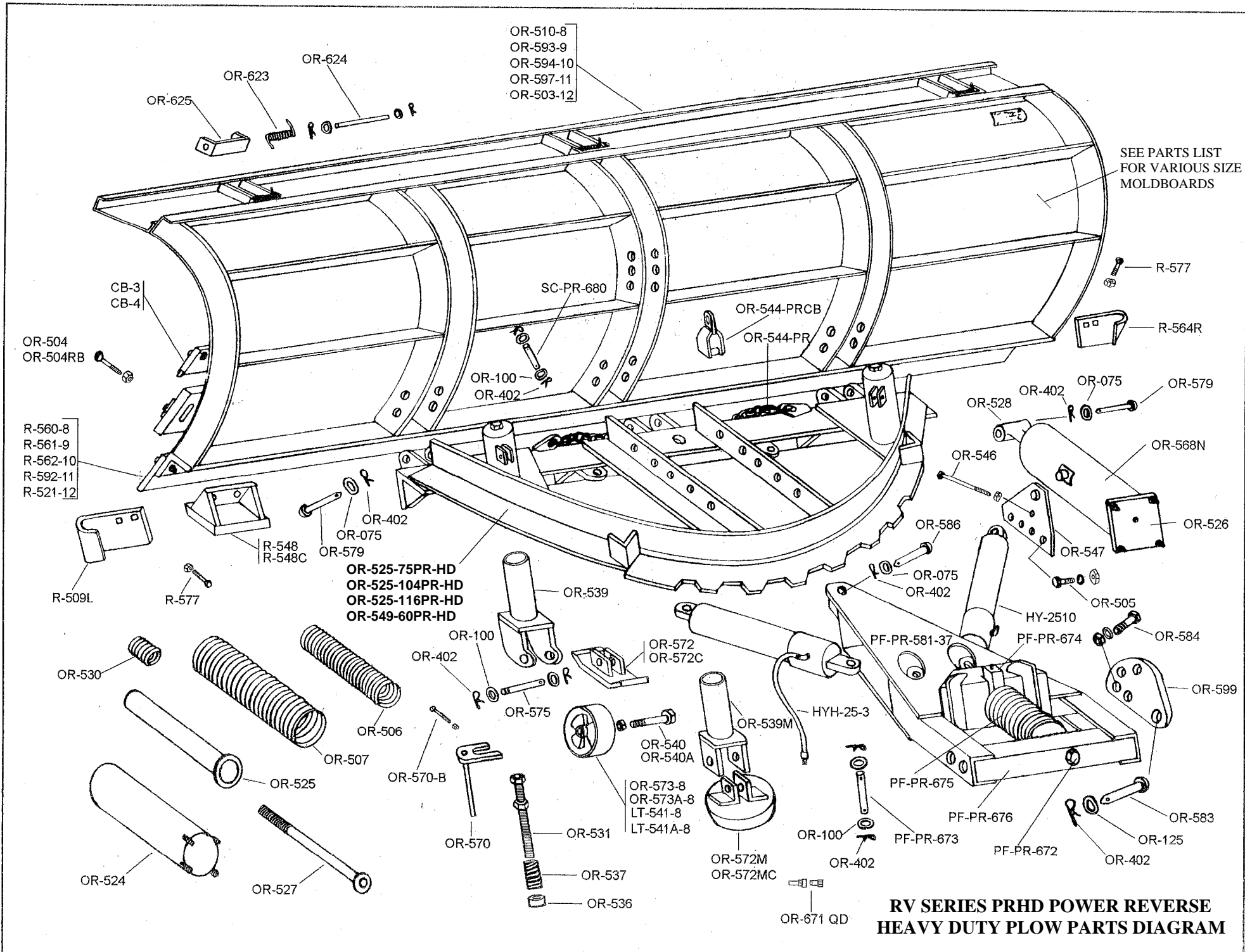
OR-510-8
 OR-593-9
 OR-594-10
 OR-597-11
 OR-503-12

SEE PARTS LIST
 FOR VARIOUS SIZE
 MOLDBOARDS

R-560-8
 R-561-9
 R-562-10
 R-592-11
 R-521-12

OR-525-75PR-HD
 OR-525-104PR-HD
 OR-525-116PR-HD
 OR-549-60PR-HD

**RV SERIES PRHD POWER REVERSE
 HEAVY DUTY PLOW PARTS DIAGRAM**



OR-625
 OR-623
 OR-624

CB-3
 CB-4

SC-PR-680

OR-544-PRCB
 OR-544-PR

R-577

R-564R

OR-100
 OR-402

OR-528

OR-402

OR-075

OR-579

OR-568N

OR-546

OR-526

OR-547

OR-586

OR-075
 OR-402

OR-505

OR-584

HY-2510

PF-PR-674

OR-599

PF-PR-581-37

HYH-25-3

PF-PR-675

PF-PR-676

PF-PR-673

PF-PR-672

OR-583

OR-125

OR-402

OR-100
 OR-402

OR-671 QD

R-509L

R-577

R-548
 R-548C

OR-402
 OR-075
 OR-579

OR-539

OR-572
 OR-572C

OR-100
 OR-402

OR-575

OR-540
 OR-540A

OR-573-8
 OR-573A-8
 LT-541-8
 LT-541A-8

OR-539M

OR-572M
 OR-572MC

OR-570

OR-531

OR-537

OR-536

OR-570-B

OR-506

OR-507

OR-525

OR-527

OR-524

OR-530

OR-530

OR-506

OR-506

OR-506

OR-506

OR-506



VALK SNOWPLOWS

RV SERIES PR-HD POWER REVERSE "LOCKING" HEAVY DUTY PARTS PRICE LIST

PART	DESCRIPTION	PRICE	PART	DESCRIPTION	PRICE
OR-075	Washer, 3/4"	1.30	OR-536	Thrust Bearing	21.00
OR-100	Washer, 1"	1.40	OR-537	Caster Spring	48.00
OR-125	Washer, 1-1/4"	1.50	OR-539	Caster Fork	360.00
OR-252	Cotter Pin	1.15	OR-539-M	Caster Fork, Mushroom Shoe	360.00
OR-400	Caster Fork Assy. With Wheel	870.00	OR-540	Axle, 1"	52.00
OR-401	Caster Fork Assy. With Shoe	670.00	OR-540A	Axle, 1-3/16"	59.00
OR-401-C	Caster Fork Assy. With Carbide Shoe	798.00	LT-541A-8	Poly Steel Wheel, 8" X 3" X 1-3/16"	390.00
OR-401-M	Caster Fork Assy. With Mushroom Shoe	715.00	OR-543	Shackle	16.50
OR-402	Hair Pin	1.60	OR-544-PR	Lift Chain Assy. With Slip Block	168.00
OR-503-12	Snow Shield, Hinged, 12'	485.00	OR-544-PR-CB	Lift Chain Slip Block	89.00
OR-504	Cutting Edge Bolt	3.50	OR-545	Lift Chain Spring with Hooks	84.00
OR-504RB	Rubber Cutting Edge Bolt	5.90	OR-546	Trunnion Plate Tie Bolt	35.00
OR-505	Trunnion Plate Bolt	6.50	OR-547	Trunnion Pletes, (Pair)	239.00
OR-506	Inner Spring	145.00	R-548	Moldboard Shoe	132.00
OR-507	Outer Spring	235.00	R-548-C	Carbide Moldboard Shoe	285.00
R-509L	Curb Bumper, Left	90.00	OR-549-60PR-HD	60" Power Reverse Semi-Circle Assy.	1825.00
OR-510-8	Snow Shield, Hinged, 8'	325.00	R-560-8	Cutting Edge, 1/2" x 6" x 8' Std Hwy	149.00
R-511-116-HD	Moldboard, 12' x 36", 116" Hinge Centers	2,860.00	R-561-9	Cutting Edge, 1/2" x 6" x 9' Std Hwy	168.00
R-511-HD	Moldboard, 12' x 36", 75" Hinge Centers	2,860.00	R-562-10	Cutting Edge, 1/2" x 6" x 10' Std Hwy	186.00
R-512-116-HD	Moldboard, 12' x 30", 116" Hinge Centers	2,600.00	R-564R	Curb Bumper, Right	90.00
R-512-HD	Moldboard, 12' x 30", 75" Hinge Centers	2,600.00	OR-568N	Trip Cylinder	1150.00
R-513-116-HD	Moldboard, 11' x 36", 116" Hinge Centers	2,605.00	OR-570	Caster Handle	67.00
R-513-HD	Moldboard, 11' x 36", 75" Hinge Centers	2,605.00	OR-572	Wear Shoe	134.00
R-514-116-HD	Moldboard, 11' x 30", 116" Hinge Centers	2,265.00	OR-572-C	Carbide Shoe	290.00
R-514-HD	Moldboard, 11' x 30", 75" Hinge Centers	2,265.00	OR-572-M	Mushroom Shoe, 1-1/2" X 12"	205.00
R-515-116-HD	Moldboard, 10' x 36", 116" Hinge Centers	2,240.00	OR-572-CM	Carbide Mushroom Shoe, 1-1/2" X 12"	320.00
R-515-HD	Moldboard, 10' x 36", 75" Hinge Centers	2,240.00	OR-573-8	Wheel, 8" X 3" X 1"	325.00
R-516-HD	Moldboard, 10' x 36", 60" Hinge Centers	2,240.00	OR-573A-8	Wheel, 8" X 3" X 1-3/16"	305.00
R-517-116-HD	Moldboard, 10' x 30", 116" Hinge Centers	1,950.00	OR-575	Wear Shoe Pin	30.00
R-517-HD	Moldboard, 10' x 30", 75" Hinge Centers	1,950.00	R-577	Curb Bumper Bolt	4.90
R-518-HD	Moldboard, 10' x 30", 60" Hinge Centers	1,950.00	OR-579	Connector Pin, 3/4" x 5-1/2"	18.00
R-519-104-HD	Moldboard, 9' x 30", 104" Hinge Centers	1,575.00	PF-PR-581-37	37" Power Reverse Push Frame	2190.00
R-519-HD	Moldboard, 9' x 30", 60" Hinge Centers	1,575.00	OR-583	Connector Block Pin	32.00
R-519-36-HD	Moldboard, 9' x 36", 60" Hinge Centers	1,865.00	OR-584	Connector Block Bolt	11.50
R-519-36-104-HD	Moldboard, 9' x 36", 104" Hinge Centers	1,865.00	OR-586-L	King Pin, Long 3/4" x 5-1/2"	18.00
R-523-75-HD	Moldboard, 10' x 42", 75" Hinge Centers	2,340.00	R-592-11	Cutting Edge, 1/2" x 6" x 11' Std Hwy	205.00
R-523-116-HD	Moldboard, 10' x 42", 116" Hinge Centers	2,340.00	OR-593-9	Snow Shield, Hinged, 9'	365.00
R-532-116-HD	Moldboard, 11' x 42", 116" Hinge Centers	2,705.00	OR-594-10	Snow Shield, Hinged, 10'	410.00
R-533-116-HD	Moldboard, 12' x 42", 116" Hinge Centers	3,010.00	OR-597-11	Snow Shield, Hinged, 11'	450.00
OPTION	BSS - Built-in Snow Shield on any Moldboard	110.00	OR-599	Connector Block	104.00
NOTE	HD Designation on MLBD - 4" x 4" x 5/8" Bottom Angle		OR-623	Hinge Spring	13.50
R-521-12	Cutting Edge, 1/2" x 6" x 12' Std Hwy	220.00	OR-624	Hinge Pin	12.00
OR-522	Caster Housing with Nut	160.00	OR-625	Hinge Bracket	25.00
OR-524	Trip Cylinder Housing	245.00	OR-671 QD	Quick Disconnect	54.00
OR-525	Inside Tube Assy.	235.00	PF-PR-672	Compression Spring Bolt	29.00
OR-525-75PR-HD	75" Power Reverse Semi-Circle Assy.	1,925.00	PF-PR-673	Cylinder Pin	17.00
OR-525-104PR-HD	104" Power Reverse Semi-Circle Assy.	1,975.00	PF-PR-674	Latch Block Assy	920.00
OR-525-116PR-HD	116" Power Reverse Semi-Circle Assy.	2,025.00	PF-PR-675	Compression Spring	119.00
OR-526	Trip Cylinder Back Plate	93.00	PF-PR-676	Back Channel	115.00
OR-527	Trip Cylinder Rod	105.00	SC-PR-680	Cylinder Pin	17.00
OR-528	Tee Connector	160.00	HY-2510	2-1/2" X 10" Hydraulic Culinder, S.A.	390.00
OR-529	Separator Ring	18.00	S-594-36	End Marker, 36" (Pair)	57.00
OR-530	Cushion Spring	54.00	CB-3	3/4" X 6" X 3' Carbide Blade, 2" Gauge	264.00
OR-531	Caster Stem	84.00	CB-4	3/4" X 6" X 4' Carbide Blade, 2" Gauge	352.00

PRICES EFFECTIVE 9/1/14

P

VALK MANUFACTURING COMPANY
P.O. BOX 428
NEW KINGSTOWN, PA 17013

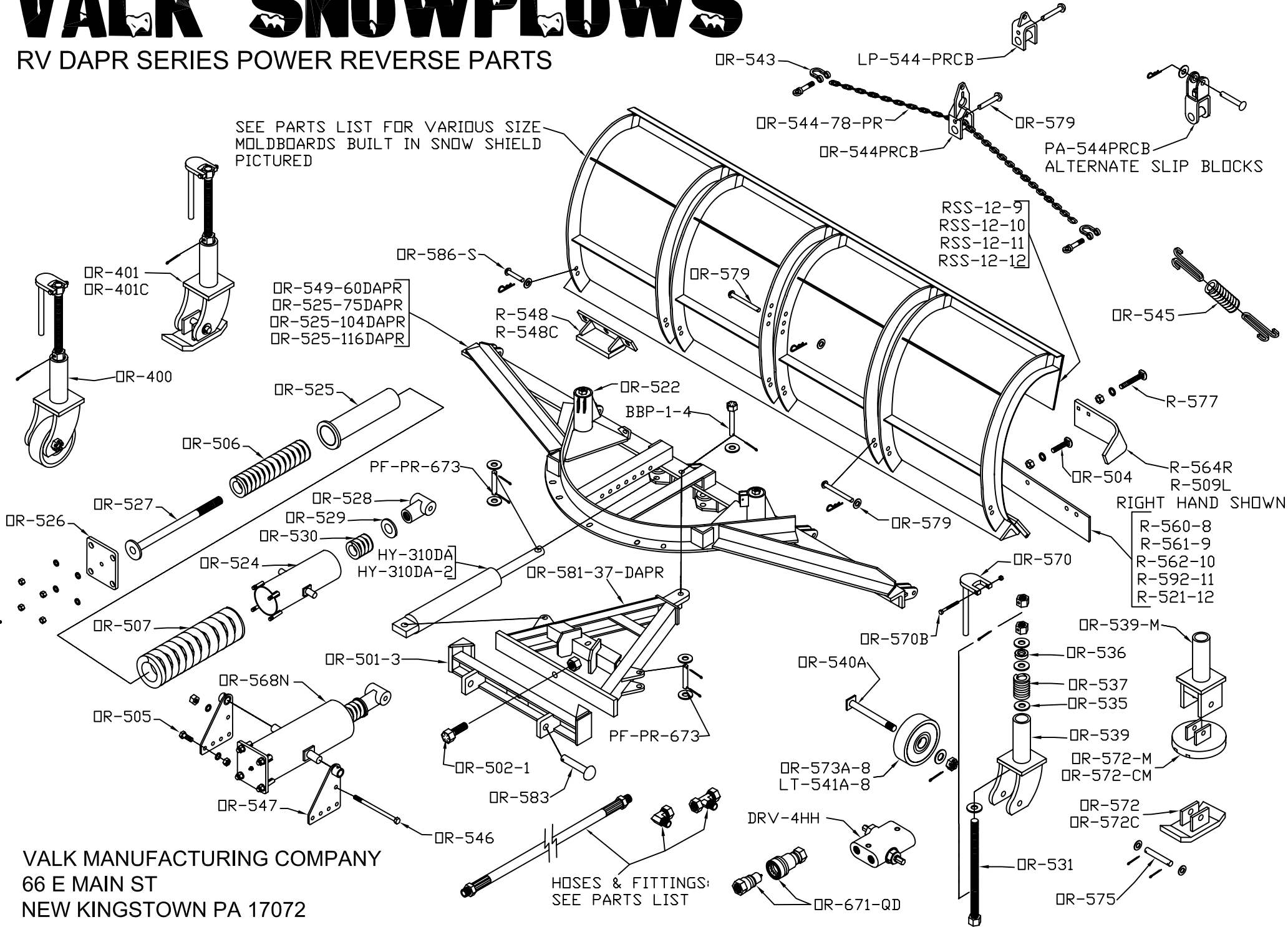
WEBSITE: www.valkmfg.com
e-mail: plowsales@valkmfg.com

PHONE: (717)-766-0711
FAX: (717)697-6297

VALK SNOWPLOWS

RV DAPR SERIES POWER REVERSE PARTS

SEE PARTS LIST FOR VARIOUS SIZE MOLDBOARDS BUILT IN SNOW SHIELD PICTURED



VALK MANUFACTURING COMPANY
66 E MAIN ST
NEW KINGSTOWN PA 17072
www.valkmfg.com



VALK SNOWPLOWS

RV DAPR SERIES POWER REVERSE SNOWPLOW PARTS PRICE LIST

PART	DESCRIPTION	PRICE	PART	DESCRIPTION	PRICE
OR-400	Caster Fork Assy. With Wheel	870.00	OR-540A	Axle, 1-3/16"	59.00
OR-401	Caster Fork Assy. With Shoe	670.00	LT-541A-8	Poly Steel Wheel, 8" x 3" x 1-3/16"	390.00
OR-401-C	Caster Fork Assy. With Carbide Shoe	798.00	OR-543	Shackle	16.50
OR-401-M	Caster Fork Assy. With Mushroom Shoe	715.00	OR-544-78-PR	Lift Chain Assy. 78" With Slip Block	169.00
OR-501-3	Swivel Bar Assy, 21" Pin Centers Standard	410.00	OR-544-PR-CB	Lift Chain Slip Block, Standard	89.00
OR-502-1	Swivel Bar Bolt, 1-1/4" x 5" with nut	35.00	LP-544-PR-CB	Low Profile Slip Block	81.00
OR-504	Cutting Edge Bolt, 5/8" x 2-1/2" Carriage Bolt	3.50	PA-544-PR-CB	Swivel Style Slip Block	99.00
OR-505	Trunnion Plate Bolt	6.50	OR-545	Lift Chain Spring with Hooks	84.00
OR-506	Inner Spring	145.00	OR-546	Trunnion Plate Tie Bolt	35.00
OR-507	Outer Spring	235.00	OR-547	Trunnion Pletes, (Pair)	239.00
R-509L	Curb Bumper, Left	90.00	R-548	Moldboard Shoe	132.00
R-511-116	Moldboard, 12' x 36", 116" Hinge Centers	2,800.00	R-548-C	Carbide Moldboard Shoe	285.00
R-511	Moldboard, 12' x 36", 75" Hinge Centers	2,800.00	OR-549-60DAPR	60" Power Reverse Semi-Circle Assy.	1,750.00
R-512-116	Moldboard, 12' x 30", 116" Hinge Centers	2,540.00	R-560-8	Cutting Edge, 1/2" x 6" x 8' Std Hwy Punch	149.00
R-512	Moldboard, 12' x 30", 75" Hinge Centers	2,540.00	R-561-9	Cutting Edge, 1/2" x 6" x 9' Std Hwy Punch	168.00
R-513-116	Moldboard, 11' x 36", 116" Hinge Centers	2,560.00	R-562-10	Cutting Edge, 1/2" x 6" x 10' Std Hwy Punch	186.00
R-513	Moldboard, 11' x 36", 75" Hinge Centers	2,560.00	R-564R	Curb Bumper, Right	90.00
R-514-116	Moldboard, 11' x 30", 116" Hinge Centers	2,210.00	OR-568N	Trip Cylinder	1,150.00
R-514	Moldboard, 11' x 30", 75" Hinge Centers	2,210.00	OR-570	Caster Handle with Bolt	67.00
R-515-116	Moldboard, 10' x 36", 116" Hinge Centers	2,190.00	OR-570-B	Caster Handle Bolt	3.75
R-515	Moldboard, 10' x 36", 75" Hinge Centers	2,190.00	OR-572	Wear Shoe	134.00
R-516	Moldboard, 10' x 36", 60" Hinge Centers	2,190.00	OR-572-C	Carbide Shoe	290.00
R-517-116	Moldboard, 10' x 30", 116" Hinge Centers	1,900.00	OR-572-M	Mushroom Shoe, 1-1/2" x 12"	205.00
R-517	Moldboard, 10' x 30", 75" Hinge Centers	1,900.00	OR-572-CM	Carbide Mushroom Shoe, 1-1/2" x 12"	320.00
R-518	Moldboard, 10' x 30", 60" Hinge Centers	1,900.00	OR-573A-8	Wheel, 8" x 3" x 1-3/16"	305.00
R-519-36-104	Moldboard, 9' x 36", 104" Hinge Centers	1,850.00	OR-575	Wear Shoe Pin	30.00
R-519-36	Moldboard, 9' x 36", 60" Hinge Centers	1,850.00	R-577	Curb Bumper Bolt	4.90
R-519-104	Moldboard, 9' x 30", 104" Hinge Centers	1,650.00	OR-579	Connector Pin, 3/4" x 5-1/2"	18.00
R-519	Moldboard, 9' x 30", 60" Hinge Centers	1,650.00	OR-581-37-DAPR	Power Reverse Push Frame	1,650.00
R-520	Moldboard, 8' x 30", 60" Hinge Centers	1,450.00	OR-583	Connector Block Pin	32.00
R-523-75	Moldboard, 10' x 42", 75" Hinge Centers	2,290.00	OR-586-S	Connector Pin Short, 3/4" x 3-1/2"	17.00
R-523-116	Moldboard, 10' x 42", 116" Hinge Centers	2,290.00	R-592-11	Cutting Edge, 1/2" x 6" x 11' Std Hwy Punch	205.00
R-532-116	Moldboard, 11' x 42", 116" Hinge Centers	2,650.00	HYH-06-06-06-40	Hose, 3/8" x 40" - Cylinder to Cylinder	34.00
R-533-116	Moldboard, 12' x 42", 116" Hinge Centers	2,900.00	HYH-06-06-06-38	Hose, 3/8" x 38" - Cylinder to Cushion Valve	33.50
OPTION	BSS - Built-in Snow Shield on any Moldboard	110.00	HYH-06-06-06-22	Hose, 3/8" x 22" - Cylinder to Cushion Valve	27.00
OPTION	HD - 4"x4"x5/8" Bottom Angle On Any Moldboard	110.00	HYH-06-06-06-48	Hose, 3/8" x 48" - Cushion Valve to Truck	37.50
R-521-12	Cutting Edge, 1/2" x 6" x 12' Std Hwy Punch	220.00	HYF-1501-08-06	1/2" - 3/8" 90 Degree Swivel Fitting, Cylinder Front	4.95
OR-522	Caster Housing with Nut	160.00	HYF-1601-06-06-06	3/8" Tee Fitting, Cylinder Rear	7.60
OR-524	Trip Cylinder Housing	245.00	HYF-5406-08-06	1/2" - 3/8" Bushing - Cylinder & Cushion	2.30
OR-525	Inside Tube Assembly	235.00	HYF-1503-08-06	1/2" - 3/8" 45 Degree Swivel Fitting, Cushion Valve	4.95
OR-525-75DAPR	75" Power Reverse Semi-Circle Assy.	1,800.00	OR-671 QD	Quick Disconnect, 3/8" ISO-B	54.00
OR-525-104DAPR	104" Power Reverse Semi-Circle Assy.	1,900.00	PF-PR-673	Cylinder Pin	17.00
OR-525-116DAPR	116" Power Reverse Semi-Circle Assy.	1,950.00	HY-310-DA	3" x 10" D.A. Hydraulic Culinder, 1-1/2" Rod.	495.00
OR-526	Trip Cylinder Back Plate	93.00	HY-310-DA-2	3" x 10" D.A. Hydraulic Culinder, 2" Rod.	525.00
OR-527	Trip Cylinder Rod	105.00	DRV-4HH	Cushion Valve	198.00
OR-528	Tee Connector	160.00	RM-3	Cushion / Lock Valve	Not Pictured 395.00
OR-529	Separator Ring	18.00	S-594-28	End Marker, 28" (Pair)	Not Pictured 50.00
OR-530	Cushion Spring	54.00	S-594-36	End Marker, 36" (Pair)	Not Pictured 57.00
OR-531	Caster Stem	84.00	RSS-12-9	Rubber Snow Shield, 3/8" x 12" x 9'	135.00
OR-535	Caster Washer	1.65	RSS-12-10	Rubber Snow Shield, 3/8" x 12" x 10'	150.00
OR-536	Thrust Bearing	21.00	RSS-12-11	Rubber Snow Shield, 3/8" x 12" x 11'	165.00
OR-537	Caster Spring	48.00	RSS-12-12	Rubber Snow Shield, 3/8" x 12" x 12'	180.00
OR-539	Caster Fork	360.00	BBP-1-4	Bolt Blank Pin, 1" x 4"	23.00
OR-539-M	Caster Fork, for Mushroom Shoe	360.00	M-688	Electric Hydraulic Pump, Electric Controls	1,750.00

PRICES EFFECTIVE 9/1/14

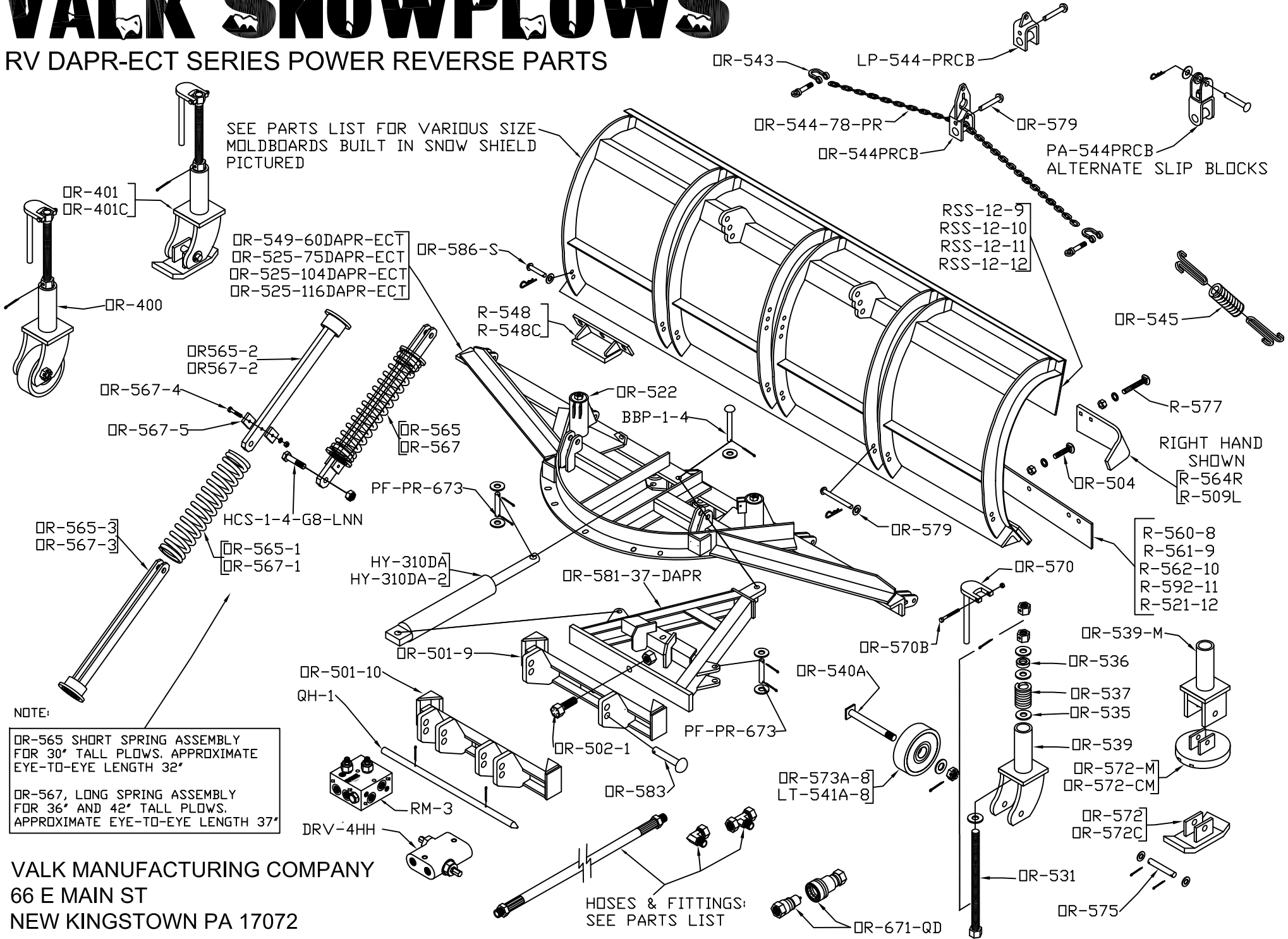
VALK MANUFACTURING COMPANY
P.O. BOX 428
NEW KINGSTOWN, PA 17013

WEBSITE: www.valkmfg.com
e-mail: plowsales@valkmfg.com

PHONE: (717)-766-0711
FAX: (717)697-6297

VALK SNOWPLOWS

RV DAPR-ECT SERIES POWER REVERSE PARTS



SEE PARTS LIST FOR VARIOUS SIZE MOLDBOARDS BUILT IN SNOW SHIELD PICTURED

NOTE:
 OR-565 SHORT SPRING ASSEMBLY FOR 30" TALL PLOWS. APPROXIMATE EYE-TO-EYE LENGTH 32"
 OR-567, LONG SPRING ASSEMBLY FOR 36" AND 42" TALL PLOWS. APPROXIMATE EYE-TO-EYE LENGTH 37"

VALK MANUFACTURING COMPANY
 66 E MAIN ST
 NEW KINGSTOWN PA 17072
 www.valkmfg.com



RV DAPR ECT SERIES POWER REVERSE SNOWPLOW PARTS PRICE LIST

PART	DESCRIPTION	PRICE	PART	DESCRIPTION	PRICE
OR-400	Caster Fork Assy. With Wheel	870.00	R-548-C	Carbide Moldboard Shoe	285.00
OR-401	Caster Fork Assy. With Shoe	670.00	OR-549-60DAPR-ECT	60" Power Reverse ECT Semi-Circle Assy.	1,750.00
OR-401-C	Caster Fork Assy. With Carbide Shoe	798.00	R-560-8	Cutting Edge, 1/2"x6"x8" Std Hwy Punched	149.00
OR-401-M	Mushroom Fork Assy. With Mushroom Shoe	715.00	R-561-9	Cutting Edge, 1/2"x6"x9" Std Hwy Punched	168.00
OR-501-9	Swivel Bar Assy, 21" Pin Centers Standard	410.00	R-562-10	Cutting Edge, 1/2"x6"x10' Std Hwy Punched	186.00
OR-501-10	Swivel Bar Assy - 4 lugs for Quick Rod	425.00	R-564R	Curb Bumper, Right	90.00
OR-502-1	Swivel Bar Bolt, 1-1/4" x 5" with Lock Nut	35.00	OR-565	Compression Trip Assy, Short, 30" Plow	560.00
OR-504	Cutting Edge Bolt, 5/8" x 2-1/2" Carriage Bolt	3.50	OR-565-1	Compression Trip Spring, Short	235.00
R-509L	Curb Bumper, Left	90.00	OR-565-2	Compression Trip Slider, Short, Top	159.00
R-511-116-ECT	Moldboard, 12' x 36", 116" Hinge Centers	2,800.00	OR-565-3	Compression Trip Slider, short, Bottom	170.00
R-511-ECT	Moldboard, 12' x 36", 75" Hinge Centers	2,800.00	OR-567	Compression Trip Assy, Long, 36" & 42" High Pl	570.00
R-512-116-ECT	Moldboard, 12' x 30", 116" Hinge Centers	2,540.00	OR-567-1	Compression Trip Spring, Long	245.00
R-512-ECT	Moldboard, 12' x 30", 75" Hinge Centers	2,540.00	OR-567-2	Compression Trip Slider, Long, Top	164.00
R-513-116-ECT	Moldboard, 11' x 36", 116" Hinge Centers	2,560.00	OR-567-3	Compression Trip Slider, Long, Bottom	175.00
R-513-ECT	Moldboard, 11' x 36", 75" Hinge Centers	2,560.00	OR-567-4	Trip Return Stop	13.00
R-514-116-ECT	Moldboard, 11' x 30", 116" Hinge Centers	2,210.00	OR-567-5	Trip Return Stop Bolt, 5/8x3-1/2 w/Nut & LW G-5	2.75
R-514-ECT	Moldboard, 11' x 30", 75" Hinge Centers	2,210.00	HCS-1-4-G8-LNN	Trip Spring Bolt & Nylon Lock Nut, 1" x 4" G-8	7.50
R-515-116-ECT	Moldboard, 10' x 36", 116" Hinge Centers	2,190.00	OR-570	Caster Handle with Bolt	67.00
R-515-ECT	Moldboard, 10' x 36", 75" Hinge Centers	2,190.00	OR-570-B	Caster Handle Bolt	3.75
R-516-ECT	Moldboard, 10' x 36", 60" Hinge Centers	2,190.00	OR-572	Wear Shoe	134.00
R-517-116-ECT	Moldboard, 10' x 30", 116" Hinge Centers	1,900.00	OR-572-C	Carbide Shoe	290.00
R-517-ECT	Moldboard, 10' x 30", 75" Hinge Centers	1,900.00	OR-572-M	Mushroom Shoe, 1-1/2" X 12"	205.00
R-518-ECT	Moldboard, 10' x 30", 60" Hinge Centers	1,900.00	OR-572-CM	Carbide Mushroom Shoe, 1-1/2" X 12"	320.00
R-519-104-ECT	Moldboard, 9' x 30", 104" Hinge Centers	1,650.00	OR-573A-8	Wheel, 8" X 3" X 1-3/16"	305.00
R-519-ECT	Moldboard, 9' x 30", 60" Hinge Centers	1,650.00	OR-575	Wear Shoe Pin	30.00
R-519-36-ECT	Moldboard, 9' x 36", 60" Hinge Centers	1,850.00	R-577	Curb Bumper Bolt	4.90
R-519-36-104-ECT	Moldboard, 9' x 36", 104" Hinge Centers	1,850.00	OR-579	Connector Pin, 3/4" x 5-1/2"	18.00
R-520-ECT	Moldboard, 8' x 30", 60" Hinge Centers	1,450.00	OR-581-37-DAPR	Power Reverse Push Frame	1,650.00
R-523-75-ECT	Moldboard, 10' x 42", 75" Hinge Centers	2,290.00	OR-583	Connector Block Pin	32.00
R-523-116-ECT	Moldboard, 10' x 42", 116" Hinge Centers	2,290.00	OR-586-S	Connector Pin Short, 3/4" x 3-1/2"	17.00
R-532-116-ECT	Moldboard, 11' x 42", 116" Hinge Centers	2,650.00	R-592-11	Cutting Edge, 1/2"x6"x11' Std Hwy Punched	205.00
R-533-116-ECT	Moldboard, 12' x 42", 116" Hinge Centers	2,900.00	HYH-06-06-06-40	Hose, 3/8" x 40" - Cylinder to Cylinder	34.00
Moldboard Option	BSS - Built-in Snow Shield on any Moldboard	110.00	HYH-06-06-06-38	Hose, 3/8" x 38" - Cylinder to Cushion Valve	33.50
Moldboard Option	HD - 4"x4"x5/8" Bottom Angle On Any Moldboard	110.00	HYH-06-06-06-22	Hose, 3/8" x 22" - Cylinder to Cushion Valve	27.00
R-521-12	Cutting Edge, 1/2"x6"x12' Std Hwy Punched	220.00	HYH-06-06-06-48	Hose, 3/8" x 48" - Cushion Valve to Truck	37.50
OR-522	Caster Housing with Nut	160.00	HYF-1501-08-06	1/2" - 3/8" 90 Degree Swivel Fitting, Cylinder Front	4.95
OR-525-75DAPR-ECT	75" Power Reverse ECT Semi-Circle Assy.	1,800.00	HYF-1601-06-06-06	3/8" Tee Fitting, Cylinder Rear	7.60
OR-525-104DAPR-ECT	104" Power Reverse ECT Semi-Circle Assy.	1,900.00	HYF-5406-08-06	1/2" - 3/8" Bushing - Cylinder & Cushion	2.30
OR-525-116DAPR-ECT	116" Power Reverse ECT Semi-Circle Assy.	1,950.00	HYF-1503-08-06	1/2" - 3/8" 45 Degree Swivel Fitting, Cushion Valve	4.95
OR-531	Caster Stem	84.00	OR-671 QD	Quick Disconnect, 3/8" ISO-B	54.00
OR-535	Caster Washer	1.65	PF-PR-673	Cylinder Pin	17.00
OR-536	Thrust Bearing	21.00	HY-310-DA	3" X 10" D.A. Hydraulic Culinder, 1-1/2" Rod.	495.00
OR-537	Caster Spring	48.00	HY-310-DA-2	3" X 10" D.A. Hydraulic Culinder, 2" Rod.	525.00
OR-539	Caster Fork	360.00	DRV-4HH	Cushion Valve	198.00
OR-539-M	Mushroom Caster Fork	360.00	RM-3	Cushion / Lock Valve	Not Pictured 395.00
OR-540A	Axle, 1-3/16"	59.00	S-594-28	End Marker, 28" (Pair)	Not Pictured 50.00
LT-541A-8	Poly Steel Wheel, 8" X 3" X 1-3/16"	390.00	S-594-36	End Marker, 36" (Pair)	Not Pictured 57.00
OR-543	Shackle	16.50	RSS-12-9	Rubber Snow Shield, 3/8" x 12" x 9'	135.00
OR-544-78-PR	Lift Chain Assy. 78" With Slip Block	169.00	RSS-12-10	Rubber Snow Shield, 3/8" x 12" x 10'	150.00
OR-544-PR-CB	Lift Chain Slip Block, Standard	89.00	RSS-12-11	Rubber Snow Shield, 3/8" x 12" x 11'	165.00
LP-544-PR-CB	Low Profile Slip Block	81.00	RSS-12-12	Rubber Snow Shield, 3/8" x 12" x 12'	180.00
PA-544-PR-CB	Swivel Style Slip Block	99.00	BBP-1-4	Bolt Blank Pin, 1" x 4"	23.00
OR-545	Lift Chain Spring with Hooks	84.00	M-688	Electric Hydraulic Pump, Electric Controls	1,750.00
R-548	Moldboard Shoe	132.00	QH-1	Quick Rod	79.00

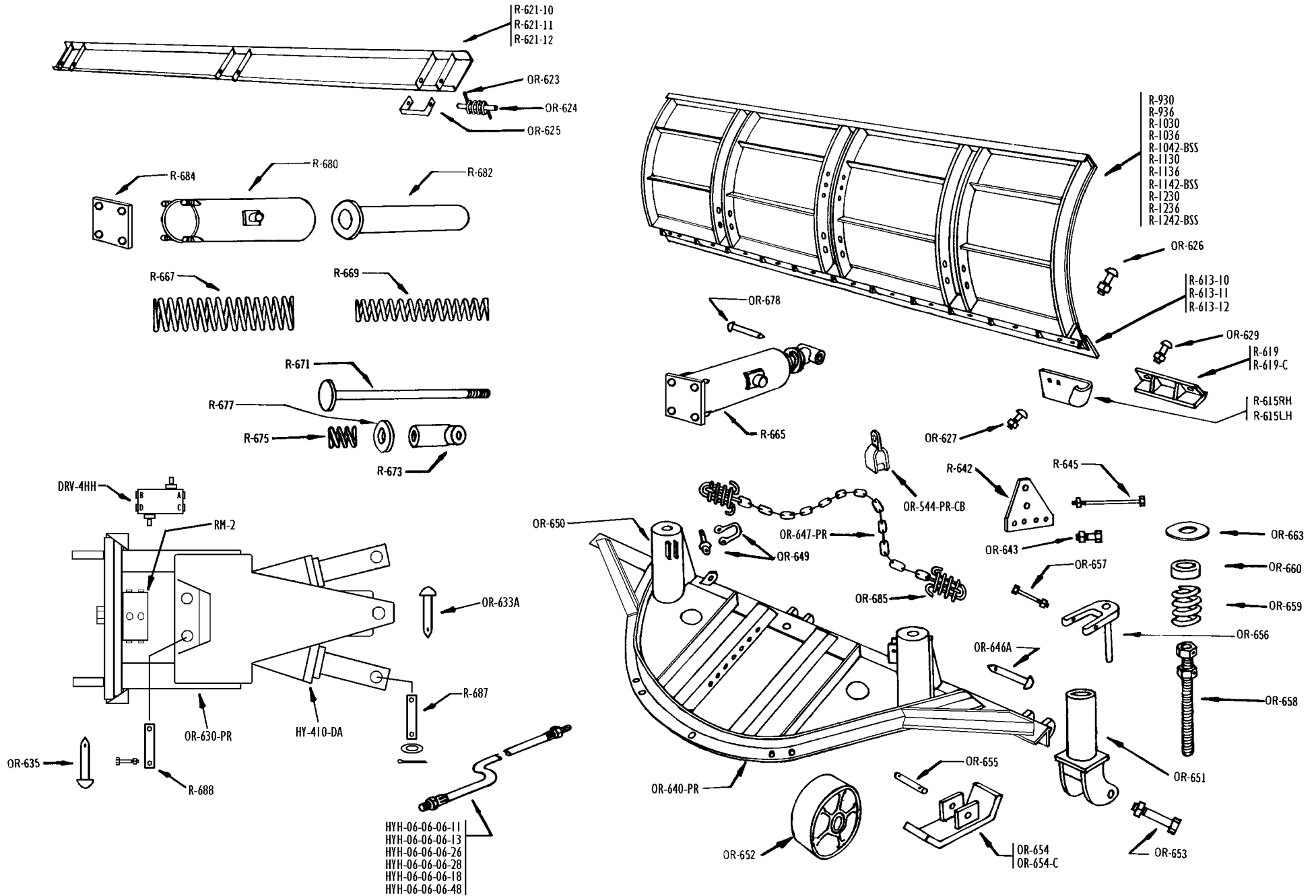
PRICES EFFECTIVE 9/1/14

VALK MANUFACTURING COMPANY
P.O. BOX 428
NEW KINGSTOWN, PA 17013

WEBSITE: www.valkmfg.com
e-mail: plowsales@valkmfg.com

PHONE: (717)-766-0711
FAX: (717)697-6297

RVS SERIES POWER REVERSE SNOWPLOW PARTS DIAGRAM





RVS POWER REVERSE SNOWPLOW PARTS PRICE LIST

PART	DESCRIPTION	PRICE	PART	DESCRIPTION	PRICE
OR-100	Washer	1.40	R-665	6" H.D. Trip Cylinder Assembly	1275.00
OR-125	Washer	1.50	R-667	5-1/2" O.D. Outer Spring - for H.D. 6" Trip	245.00
OR-252	Cotter Pin	1.15	R-669	3-1/4" O.D. Inner Spring - for H.D. 6" Trip	150.00
OR-402	Hair Pin	1.60	R-671	1-1/2" O.D. Trip Cylinder Rod - for H.D. 6" Trip	139.00
OR-544-PR-CB	Lift Chain Slip Block	89.00	R-673	Tee Connector	160.00
OR-600	Caster Fork Assembly Wwith Wheel	935.00	R-675	Cushion Spring	54.00
OR-601	Caster Fork Assembly with Shoe	765.00	R-677	Seperator Ring	18.00
R-613-10	Cutting Edge, 1/2" x 6" x 10' Std Hwy Punch	186.00	OR-678	Trip Cylinder Pin	25.50
R-613-11	Cutting Edge, 1/2" x 6" x 11' Std Hwy Punch	205.00	R-680	Trip Cylinder Housing - for H.D. 6" Trip	250.00
R-613-12	Cutting Edge, 1/2" x 6" x 12' Std Hwy Punch	220.00	R-682	Inside Tube Assembly - for H.D. 6" Trip	240.00
R-615RH	Curb Bumper, Right	90.00	R-684	Back Plate - for H.D. 6" Trip	93.00
R-615LH	Curb Bumper, Left	90.00	OR-685	Lift Chain Spring	84.00
R-619	Moldboard Shoe	132.00	R-687	Cylinder Pin	23.00
R-619-C	Carbide Moldboard Shoe	285.00	R-688	Cylinder Pin with Bolt	29.00
R-621-10	Snow Shield, 10' Hinged, Reversible Plow	410.00	R-930	Moldboard, 9' x 30", Standard Curve	2170.00
R-621-11	Snow Shield, 11' Hinged, Reversible Plow	450.00	R-936	Moldboard, 9' x 36", Standard Curve	2315.00
R-621-12	Snow Shield, 12' Hinged, Reversible Plow	485.00	R-1030	Moldboard, 10' x 30", Standard Curve	2345.00
OR-623	Snow Shield Spring	13.50	R-1036	Moldboard, 10' x 36", Standard Curve	2490.00
OR-624	Snow Shield Pin	12.00	R-1042-BSS	Moldboard, 10' x 42" Built-In Deflector	2630.00
OR-625	Snow Shield Bracket	25.00	R-1130	Moldboard, 11' x 30", Standard Curve	2520.00
OR-626	Cutting Edge Bolt	3.50	R-1136	Moldboard, 11' x 36", Standard Curve	2665.00
OR-627	Curb Bumper Bolt	4.90	R-1142-BSS	Moldboard, 11' x 42" Built-In Deflector	2870.00
OR-629	Moldboard Shoe Bolt	4.90	R-1230	Moldboard 12' x 30", Standard Curve	2695.00
OR-630-PR	Power Reverse Push Frame (A-Frame)	2,190.00	R-1236	Moldboard 12' x 36", Standard Curve	2840.00
OR-633	King Bolt and Lock Nut	37.50	R-1242-BSS	Moldboard 12' x 42" Built-In Deflector	2980.00
OR-633A	King Pin	33.50	HY-410 D.A.	4" x 10" D.A. Hydraulic Cylinder	595.00
OR-635	Connector Block Pin	32.00	RM-2	Manifold	180.00
OR-640-PR	Power Reverse Semi-Circle Assembly, 84"	2,600.00	RM-3	Cushion / Lock Valve	395.00
OR-640-116PR	Power Reverse Semi-Circle Assembly, 116"	2,800.00	DRV-4HH	Cushion Valve	198.00
R-642	Trunnion Plates, (Pair)	239.00	LT-310	Poly Steel Wheel, 10" x 3"	450.00
OR-643	Trunnion Plate Bolt	6.50	S-594-28	End Marker, 28" (Pair)	50.00
R-645	Trunnion Plate Tie Bolt	35.00	S-594-36	End Marker, 36" (Pair)	57.00
OR-646A	Semi-Circle Hinge Pin	25.50	HYH-06-06-06-11"	3/8" x 11" Hyd. Hose, 06-06 MPT	23.00
OR-647-PR	Lift Chain, 1/2" with Shackel	115.00	HYH-06-06-06-13"	3/8" x 13" Hyd. Hose, 06-06 MPT	24.25
OR-649	Shackel and Bolt	21.50	HYH-06-06-06-26"	3/8" x 26" Hyd. Hose, 06-06 MPT	31.75
OR-650	Caster Housing	235.00	HYH-06-06-06-28"	3/8" x 28" Hyd. Hose, 06-06 MPT	32.75
OR-651	Caster fork	375.00	HYH-06-06-06-18"	3/8" x 18" Hyd. Hose, 06-06 MPT	27.50
OR-652	Caster Wheel with Bearings, 10" x 3"	395.00	HYH-06-06-06-48"	3/8" x 48" Hyd. Hose, 06-06 MPT	43.75
OR-653	Axle Bolt with Nut	59.00	RSS-12-9	Rubber Snow Shield, 9'	135.00
OR-654	Wear Shoe	134.00	RSS-12-10	Rubber Snow Shield, 10'	150.00
OR-654-C	Carbide Shoe	290.00	RSS-12-11	Rubber Snow Shield, 11'	165.00
OR-655	Wear Shoe Pin	30.00	RSS-12-12	Rubber Snow Shield, 12'	180.00
OR-656	Caster Handle Assembly	69.00	RSSR-9	Rubber Snow Shield Retainer, 9'	40.50
OR-657	Caster Handle Bolt	4.50	RSSR-10	Rubber Snow Shield Retainer, 10'	45.00
OR-658	Caster Stem	130.00	RSSR-11	Rubber Snow Shield Retainer, 11'	49.50
OR-659	Caster Spring	54.00	RSSR-12	Rubber Snow Shield Retainer, 12'	54.00
OR-660	Thrust Bearing	23.00	M-688	Electric Hydraulic Pump, Electric Controls	1750.00
OR-663	Washer	3.30			

PRICES EFFECTIVE 9/1/14

VALK MANUFACTURING COMPANY
P.O. BOX 428
NEW KINGSTOWN, PA 17072

WEBSITE: www.valkmfg.com

PHONE (717)-766-0711
FAX (717)697-6297

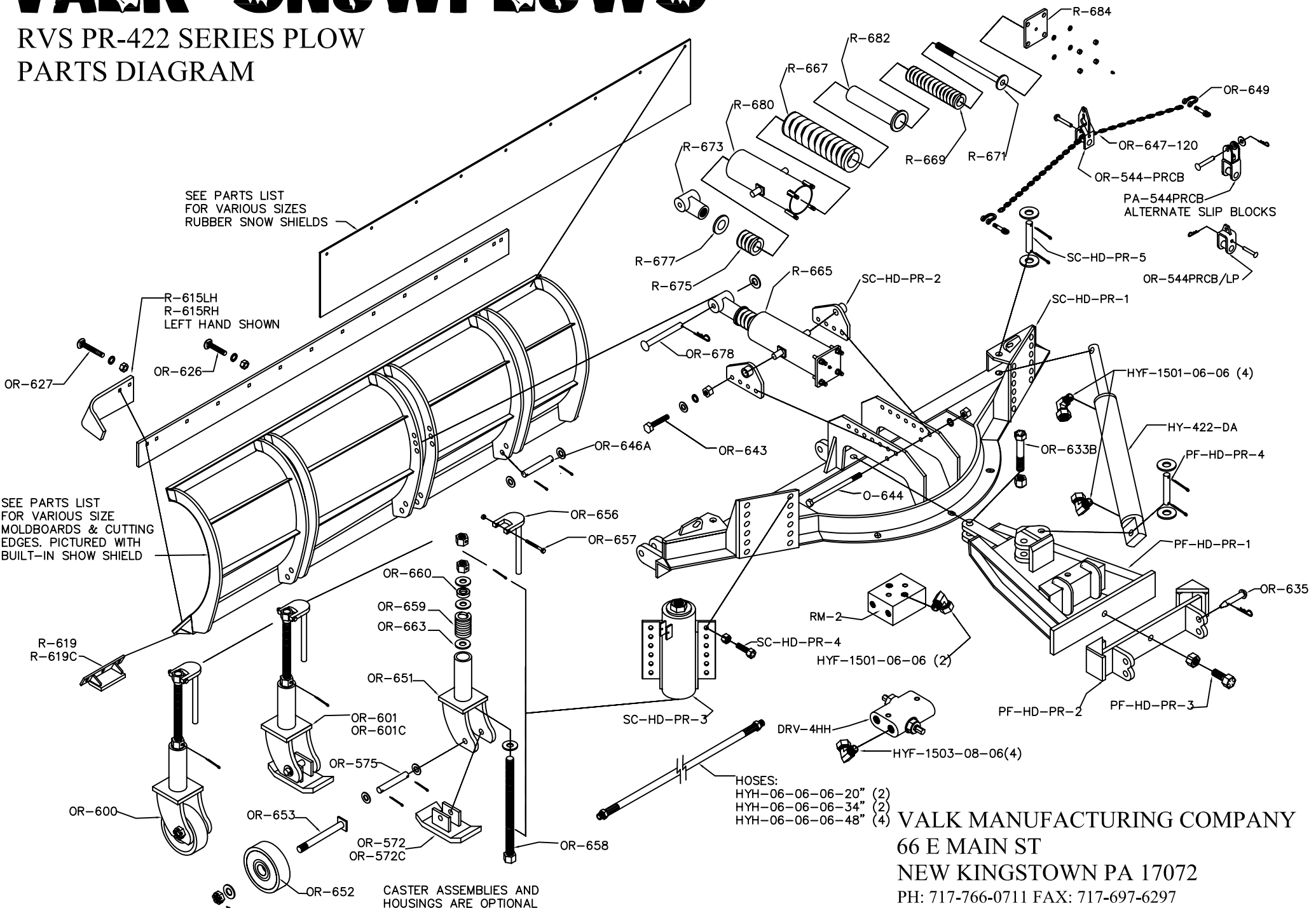
VALK SNOWPLOWS

RVS PR-422 SERIES PLOW PARTS DIAGRAM

SEE PARTS LIST
FOR VARIOUS SIZES
RUBBER SNOW SHIELDS

R-615LH
R-615RH
LEFT HAND SHOWN

SEE PARTS LIST
FOR VARIOUS SIZE
MOLDBOARDS & CUTTING
EDGES. PICTURED WITH
BUILT-IN SNOW SHIELD



- HOSES:
 HYH-06-06-06-20" (2)
 HYH-06-06-06-34" (2)
 HYH-06-06-06-48" (4)

CASTER ASSEMBLIES AND
HOUSINGS ARE OPTIONAL

VALK MANUFACTURING COMPANY
 66 E MAIN ST
 NEW KINGSTOWN PA 17072
 PH: 717-766-0711 FAX: 717-697-6297
 www.valkmfg.com



RVS PR-422 SERIES POWER REVERSE SNOWPLOW PARTS PRICE LIST

PART	DESCRIPTION	PRICE	PART	DESCRIPTION	PRICE
SC-HD-PR-1	84" Power Reverse Semi-Circle Assembly	2,600.00	OR-663	Washer	3.30
SC-HD-PR-2	Trunnion Plates, (Pair)	218.00	R-665	Trip Cylinder, HD 6"	1275.00
SC-HD-PR-3	Caster Housing, Bolt On	245.00	R-667	Outer Spring	245.00
SC-HD-PR-4	Caster Housing Bolt with Nut & L.W.	2.50	R-669	Inner Spring	150.00
SC-HD-PR-5	Cylinder Pin 1-1/4" X 8" Straight Pin	27.00	R-671	Trip Cylinder Rod, 1-1/2"	139.00
PF-HD-PR-1	Power Reverse Push Frame Assembly	2,150.00	R-673	Tee Connector	160.00
PF-HD-PR-2	Swivel Bar Assembly	410.00	R-675	Cushion Spring	54.00
PF-HD-PR-3	Swivel Bar Bolt	35.00	R-677	Separator Ring	18.00
PF-HD-PR-4	Cylinder Pin 1-1/4" X 5-1/2" Straight Pin	25.00	OR-678	Trip Cylinder Pin	25.50
OR-600	Caster Fork Assembly with Wheel	935.00	R-680	Trip Cylinder Housing	250.00
OR-601	Caster Fork Assembly with Wear Shoe	765.00	R-682	Inside Tube Assembly	240.00
OR-601-C	Caster Fork Assembly with Carbide Shoe	895.00	R-684	Back Plate	93.00
OR-601-M2	Caster Fork Assembly w/ Mushroom Shoe 2"	810.00	RM-2	Manifold Block	180.00
OR-601-CM	Caster Fork Assembly w/ Carbide Mushroom	895.00	DRV-4HH	Cushion Valve	198.00
R-613-9	Cutting Edge, 1/2" x 6" x 9'	168.00	HYH-06-06-06-20"	3/8" X 20" Hyd. Hose, 06-06 MPT, 2 Pcs	18.25
R-613-10	Cutting Edge, 1/2" x 6" x 10'	186.00	HYH-06-06-06-34"	3/8" X 34" Hyd. Hose, 06-06 MPT, 2 Pcs	22.50
R-613-11	Cutting Edge, 1/2" x 6" x 11'	205.00	HYH-06-06-06-48"	3/8" X 48" Hyd. Hose, 06-06 MPT, 4 Pcs	27.00
R-613-12	Cutting Edge, 1/2" x 6" x 12'	220.00	HYF-1501-06-06	90 Degree Swivel Fitting, 6 Pcs	4.50
R-615RH	Curb Bumper, Right	90.00	HYF-1503-08-06	45 Degree Swivel Fitting, 4 Pcs	5.00
R-615LH	Curb Bumper, Left	90.00	HY-422-DA	Hydraulic Cylinder, 4" x 22" Double Acting	750.00
R-619	Moldboard Shoe	132.00	R-930	Moldboard, 9' X 30" x 84" Standard Curve	2170.00
R-619-C	Carbide Moldboard Shoe	285.00	R-936	Moldboard, 9' x 36" x 84" Standard Curve	2315.00
OR-626	Cutting Edge Bolt, 5/8"x 2-1/2" Carriage Bolt	3.50	R-1030	Moldboard, 10' x 30" x 84" Standard Curve	2345.00
OR-627	Curb Bumper Bolt, 5/8" X 3" Carriage Bolt	4.90	R-1036	Moldboard, 10' x 36" x 84" Standard Curve	2490.00
OR-633A	King pin	33.50	R-1130	Moldboard, 11' x 30" x 84" Standard Curve	2520.00
OR-633B	King Bolt & Nylon Lock Nut	37.50	R-1136	Moldboard, 11' x 36" x 84" Standard Curve	2665.00
OR-635	Connector Block Pin	32.00	R-1230	Moldboard, 12' x 30" x 84" Standard Curve	2695.00
OR-643	Trunnion Plate Bolt with Nut & L.W.	6.50	R-1236	Moldboard, 12' x 36" x 84" Standard Curve	2840.00
O-644	Trunnion Plate Tie Bolt	38.00	R-930-BSS	Moldboard, 9'x30"x84" Built-In Snow Shield	2235.00
OR-646A	Connector Pin, 1-1/4" X 6-1/2" Straight Pin	25.50	R-936-BSS	Moldboard, 9'x36"x84" Built-In Snow Shield	2380.00
OR-544-PR-CB	Lift Chain Slip Block	89.00	R-1030-BSS	Moldboard, 10'x30"x84" Built-In Snow Shield	2410.00
OR-544-PRCB/LP	Lift Chain Slip Block, Low Profile	81.00	R-1036-BSS	Moldboard, 10'x36"x84" Built-In Snow Shield	2555.00
PA-544-PR-CB	Swivel Style, Slip Block	99.00	R-1042-BSS	Moldboard, 10'x42"x84" Built-In Snow Shield	2630.00
OR-647-120"	Lift Chain Assembly w/Shackle, 1/2" X 120"	115.00	R-1130-BSS	Moldboard, 11'x30"x84" Built-In Snow Shield	2585.00
OR-649	Shackle & Bolt, 1/2"	21.50	R-1136-BSS	Moldboard, 11'x36"x84" Built-In Snow Shield	2730.00
OR-651	Caster Fork	375.00	R-1142-BSS	Moldboard, 11'x42"x84" Built-In Snow Shield	2870.00
OR-651-M	Caster Fork for Mushroom Shoe	375.00	R-1230-BSS	Moldboard, 12'x30"x84" Built-In Snow Shield	2760.00
OR-652	Caster Wheel with Bearings, 3" x 10"	395.00	R-1236-BSS	Moldboard, 12'x36"x84" Built-In Snow Shield	2905.00
OR-653	Axle Bolt with Nut	59.00	R-1242-BSS	Moldboard, 12'x42"x84" Built-In Snow Shield	2980.00
OR-572	Wear Shoe	134.00	RSS-12-9	Rubber Snow Shield 3/8" X 12" X 9'	135.00
OR-572C	Carbide Shoe	290.00	RSS-12-10	Rubber Snow Shield 3/8" X 12" X 10'	150.00
OR-572-M2	Mushroom Shoe, 2" Not Pictured	210.00	RSS-12-11	Rubber Snow Shield 3/8" X 12" X 11'	165.00
OR-572-M2.5	Mushroom Shoe, 2-1/2" Not Pictured	225.00	RSS-12-12	Rubber Snow Shield 3/8" X 12" X 12'	180.00
OR-572-CM	Carbide Mushroom Shoe Not Pictured	320.00	RSSR-9	Rub. Snow Shield Retainer 1/4"x 1-1/2"x 9'	40.50
OR-575	Wear Shoe Pin	30.00	RSSR-10	Rub. Snow Shield Retainer 1/4"x 1-1/2"x 10'	45.00
OR-656	Caster Handle	69.00	RSSR-11	Rub. Snow Shield Retainer 1/4"x 1-1/2"x 11'	49.50
OR-657	Caster Handle Bolt	4.50	RSSR-12	Rub. Snow Shield Retainer 1/4"x 1-1/2"x 12'	54.00
OR-658	Caster Stem	130.00	S-594-36	36" End Marker (Pair)	57.00
OR-659	Caster Spring	54.00	CB-3	3/4" X 6" X 3' Carbide Blade, 2" Gauge	264.00
OR-660	Thrust Bearing	23.00	CB-4	3/4" X 6" X 4' Carbide Blade, 2" Gauge	352.00

PRICES EFFECTIVE 9/1/14

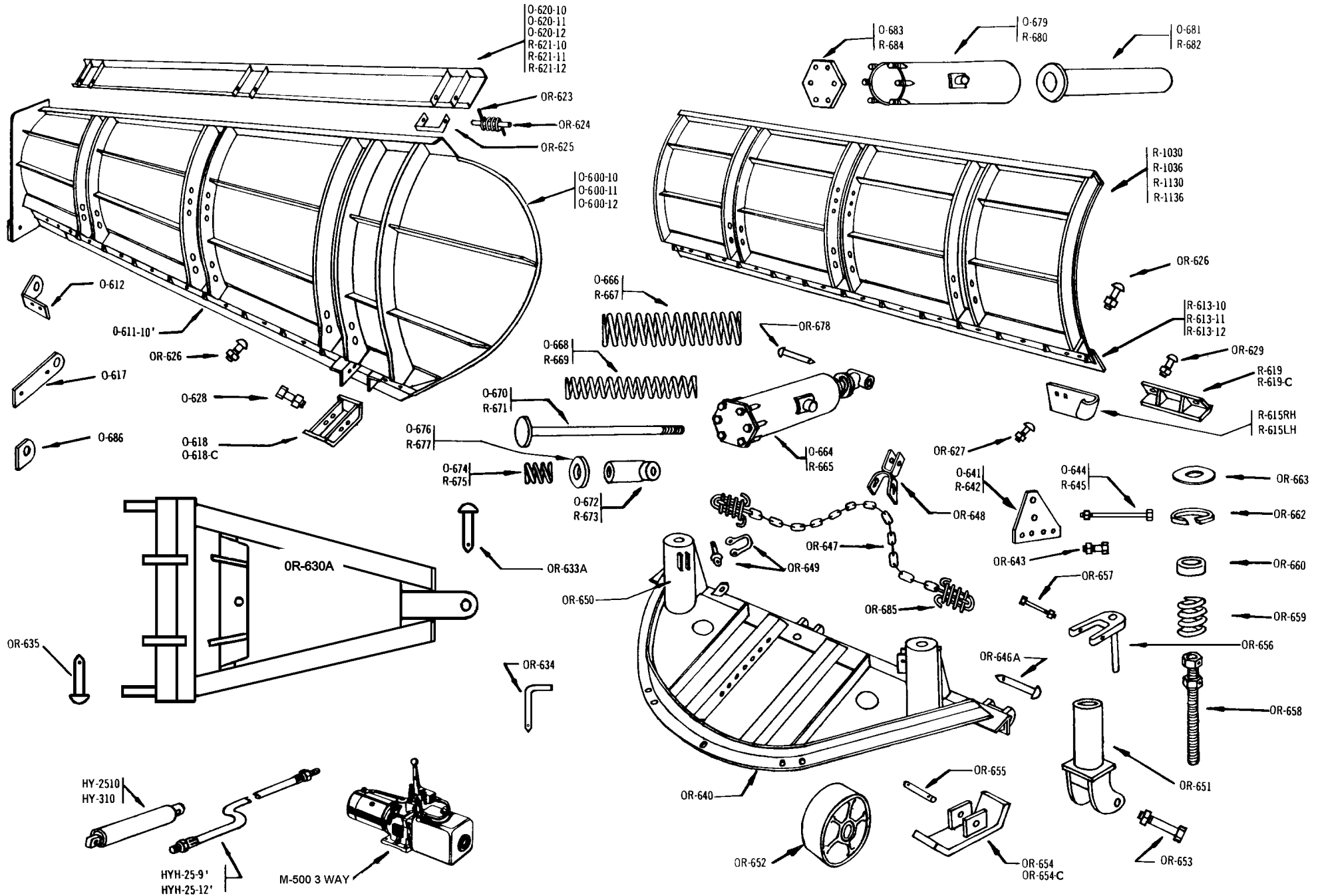
VALK MANUFACTURING COMPANY
P.O. BOX 428
NEW KINGSTOWN, PA 17013

WEBSITE: www.valkmfg.com
e-mail: plowsales@valkmfg.com

PHONE: (717)-766-0711
FAX: (717)697-6297

VALK SNOWPLOWS

HEAVY DUTY V600 AND RVS SERIES SNOWPLOW PARTS DIAGRAM—NEW STYLE





VALK SNOWPLOWS

V600 AND RVS MANUAL ANGLE SNOWPLOW PARTS PRICE LIST - NEW STYLE

PART	DESCRIPTION	PRICE	PART	DESCRIPTION	PRICE
OR-600	Caster fork Assembly with Wheel	935.00	OR-654	Wear Shoe	134.00
OR-601	Caster fork Assembly with Shoe	765.00	OR-654-C	Carbide Shoe	290.00
O-600-10	One Way Moldboard, 10'	3,200.00	OR-655	Wear Shoe Pin	30.00
O-600-11	One Way Moldboard, 11'	3,380.00	OR-656	Caster Handle Assembly	69.00
O-600-12	One Way Moldboard, 12'	3,560.00	OR-657	Caster Handle Bolt	4.50
O-612	Nose Piece	132.00	OR-658	Caster Stem	130.00
R-613-10	Cutting Edge, 1/2" x 6" x 10' Std Hwy Punch	186.00	OR-659	Caster Spring	54.00
R-613-11	Cutting Edge, 1/2" x 6" x 11' Std Hwy Punch	205.00	OR-660	Thrust Bearing	23.00
R-613-12	Cutting Edge, 1/2" x 6" x 12' Std Hwy Punch	220.00	OR-663	Washer	3.30
R-615RH	Curb Bumper, Right	90.00	O-664	8" Trip Cylinder Assembly	1690.00
R-615LH	Curb Bumper, Left	90.00	R-665	6" H.D. Trip Cylinder Assembly	1275.00
O-617	Nose End Curb Plate	89.00	O-666	8" O.D. Outer Spring - for 8" Trip	375.00
O-618	Moldboard Shoe - Discharge End Only	145.00	R-667	5-1/2" O.D. Outer Spring - for H.D. 6" Trip	245.00
O-618-C	Carbide Moldboard Shoe - Discharge End Only	295.00	O-668	5-1/2" O.D. Inner Spring - for 8" Trip	265.00
R-619	Moldboard Shoe	132.00	R-669	3-1/4" O.D. Inner Spring - for H.D. 6" Trip	150.00
R-619-C	Carbide Moldboard Shoe	285.00	O-670	2" O.D. Trip Cylinder Rod - for 8" Trip	254.00
O-620-10	Snow Shield, 10' Hinged, One Way Plow	410.00	R-671	1-1/2" O.D. Trip Cylinder Rod - for H.D. 6" Trip	139.00
O-620-11	Snow Shield, 11' Hinged, One Way Plow	450.00	O-672	Tee Connector - for 8" Trip	199.00
O-620-12	Snow Shield, 12' Hinged, One Way Plow	485.00	R-673	Tee Connector - for H.D. 6" Trip	160.00
R-621-10	Snow Shield, 10' Hinged, Reversible Plow	410.00	O-674	Cushion Spring - for 8" Trip	54.00
R-621-11	Snow Shield, 11' Hinged, Reversible Plow	450.00	R-675	Cushion Spring - for H.D. 6" Trip	54.00
R-621-12	Snow Shield, 12' Hinged, Reversible Plow	485.00	O-676	Seperator Ring - for 8" Trip	19.00
OR-623	Snow Shield Spring	13.50	R-677	Seperator Ring - for H.D. 6" Trip	18.00
OR-624	Snow Shield Pin	12.00	OR-678	Trip Cylinder Pin	25.50
OR-625	Snow Shield Bracket	25.00	O-679	Trip Cylinder Housing - for 8" Trip	280.00
OR-626	Cutting Edge Bolt	3.50	R-680	Trip Cylinder Housing - for H.D. 6" Trip	250.00
OR-627	Curb Bumper Bolt	4.90	O-681	Inside Tube Assembly - for 8" Trip	265.00
O-628	Moldboard Shoe Bolt - Discharge End of Plow	6.50	R-682	Inside Tube Assembly - for H.D. 6" Trip	240.00
OR-629	Moldboard Shoe Bolt	4.90	O-683	Back Plate - for 8" Trip	99.00
OR-630A	Manual Angle Push Frame Assy (A-Frame)	2,050.00	R-684	Back Plate - for H.D. 6" Trip	93.00
OR-633	King Bolt and Lock Nut	37.50	OR-685	Lift Chain Spring with Hooks	84.00
OR-633A	King Pin	33.50	O-686	Nose Spacer	35.00
OR-634	Semi-Circle Lock Pin	47.00	R-1030	Moldboard, 10' X 30", Standard Curve	2345.00
OR-635	Connector Block Pin	32.00	R-1036	Moldboard, 10' X 36", Standard Curve	2490.00
OR-640	84" Semi-Circle Assembly	2,800.00	R-1042-BSS	Moldboard, 10' X 42" Built-In Deflector	2630.00
O-641	Trunnion Plate, (Pair), One Way Plow	249.00	R-1130	Moldboard, 11' X 30", Standard Curve	2520.00
R-642	Trunnion Plate, (Pair), Reversible Plow	239.00	R-1136	Moldboard, 11' X 36", Standard Curve	2665.00
OR-643	Trunnion Plate Bolt	6.50	R-1142-BSS	Moldboard, 11' X 42" Built-In Deflector	2870.00
O-644	Trunnion Plate Tie Bolt - One Way Plow	38.00	R-1230	Moldboard 12' X 30", Standard Curve	2695.00
R-645	Trunnion Plate Tie Bolt - Reversible Plow	35.00	R-1236	Moldboard 12' X 36", Standard Curve	2840.00
OR-646A	Semi-Circle Hinge Pin	25.50	R-1242-BSS	Moldboard 12' X 42" Built-In Deflector	2980.00
OR-647	Lift Chain, 1/2" with Shackel	115.00	HY-2510	2-1/2" x 10" S.A. Hydraulic Cylinder	390.00
OR-648	Lift Bail - Heavy Duty	198.00	HY-310	3" x 10" S.A. Hydraulic Cylinder	475.00
OR-649	Shackel and Bolt	21.50	M-500-3W	Electric Hydraulic Pump, Manual Controls	990.00
OR-650	Caster Housing	235.00	M-503	Electric Hydraulic Pump, Electric Controls	1225.00
OR-651	Caster fork	375.00	LT-310	Poly Steel Wheel, 10" x 3"	450.00
OR-652	Caster Wheel with Bearings, 10" x 3"	395.00	S-594-28	End Marker, 28" (Pair)	50.00
OR-653	Axle Bolt with Nut	59.00	S-594-36	End Marker, 36" (Pair)	57.00

PRICES EFFECTIVE 9/1/14

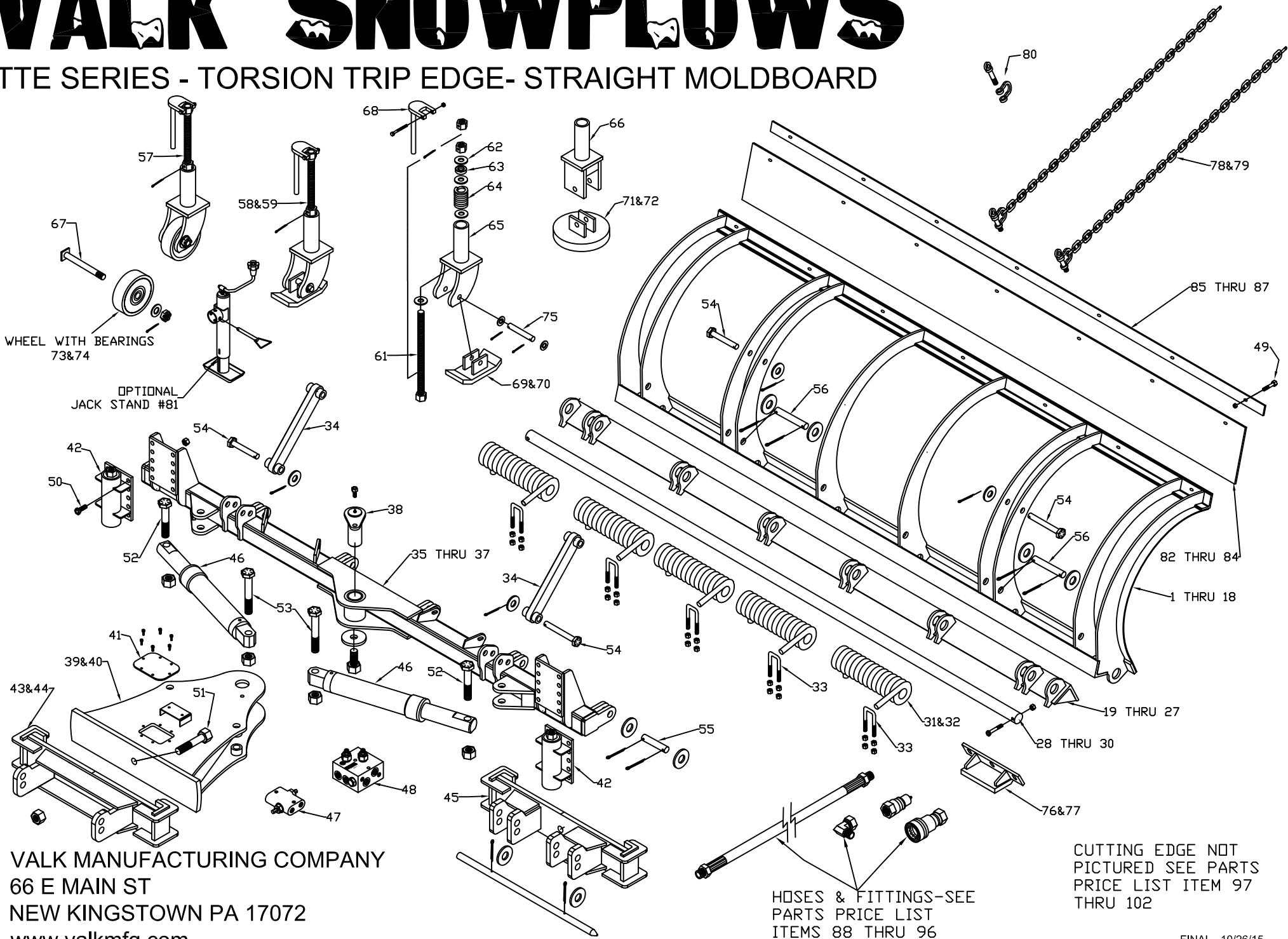
VALK MANUFACTURING COMPANY
P.O. BOX 428
NEW KINGSTOWN, PA 17072

WEBSITE: www.valkmfg.com

PHONE (717)-766-0711
FAX (717)697-6297

VALK SNOWPLOWS

TTE SERIES - TORSION TRIP EDGE- STRAIGHT MOLDBOARD



VALK MANUFACTURING COMPANY
 66 E MAIN ST
 NEW KINGSTOWN PA 17072
 www.valkmfg.com

HOSES & FITTINGS—SEE
 PARTS PRICE LIST
 ITEMS 88 THRU 96

CUTTING EDGE NOT
 PICTURED SEE PARTS
 PRICE LIST ITEM 97
 THRU 102

TTE Series - Torsion Trip Edge - Straight Moldboard

ITEM	PART	QTY REQ	DESCRIPTION	PRICE EA
1	TTE-101-1030-C	1	Moldboard, Built-in Shield "C" Style, 10' x 30"	\$1,875.00
2	TTE-101-1036-C	1	Moldboard, Built-in Shield "C" Style, 10' x 36"	\$1,950.00
3	TTE-101-1042-C	1	Moldboard, Built-in Shield "C" Style, 10' x 42"	\$2,025.00
4	TTE-101-1130-C	1	Moldboard, Built-in Shield "C" Style, 11' x 30"	\$1,950.00
5	TTE-101-1136-C	1	Moldboard, Built-in Shield "C" Style, 11' x 36"	\$2,025.00
6	TTE-101-1142-C	1	Moldboard, Built-in Shield "C" Style, 11' x 42"	\$2,100.00
7	TTE-101-1230-C	1	Moldboard, Built-in Shield "C" Style, 12' x 30"	\$2,025.00
8	TTE-101-1236-C	1	Moldboard, Built-in Shield "C" Style, 12' x 36"	\$2,100.00
9	TTE-101-1242-C	1	Moldboard, Built-in Shield "C" Style, 12' x 42"	\$2,175.00
10	TTE-102-1030-J *	1	Moldboard, Built-in Shield "J" Style, 10' x 30" * "J" Moldboard not Pictured	\$1,875.00
11	TTE-102-1036-J *	1	Moldboard, Built-in Shield "J" Style, 10' x 36" *	\$1,950.00
12	TTE-102-1042-J *	1	Moldboard, Built-in Shield "J" Style, 10' x 42" *	\$2,025.00
13	TTE-102-1130-J *	1	Moldboard, Built-in Shield "J" Style, 11' x 30" *	\$1,950.00
14	TTE-102-1136-J *	1	Moldboard, Built-in Shield "J" Style, 11' x 36" *	\$2,025.00
15	TTE-102-1142-J *	1	Moldboard, Built-in Shield "J" Style, 11' x 42" *	\$2,100.00
16	TTE-102-1230-J *	1	Moldboard, Built-in Shield "J" Style, 12' x 30" *	\$2,025.00
17	TTE-102-1236-J *	1	Moldboard, Built-in Shield "J" Style, 12' x 36" *	\$2,100.00
18	TTE-102-1242-J *	1	Moldboard, Built-in Shield "J" Style, 12' x 42" *	\$2,175.00
19	TTE-120-10	1	1/2" Trip Edge Bottom Angle, 10'	\$480.00
20	TTE-120-11	1	1/2" Trip Edge Bottom Angle, 11'	\$530.00
21	TTE-120-12	1	1/2" Trip Edge Bottom Angle, 12'	\$580.00
22	TTE-121-10	1	5/8" Trip Edge Bottom Angle, 10'	\$595.00
23	TTE-121-11	1	5/8" Trip Edge Bottom Angle, 11'	\$655.00
24	TTE-121-12	1	5/8" Trip Edge Bottom Angle, 12'	\$715.00
25	TTE-122-10	1	3/4" Trip Edge Bottom Angle, 10'	\$700.00
26	TTE-122-11	1	3/4" Trip Edge Bottom Angle, 11'	\$770.00
27	TTE-122-12	1	3/4" Trip Edge Bottom Angle, 12'	\$840.00
28	TTE-123-10	1	Trip Spring / Botton Angle Retainer Bar with bolts, 10'	\$315.00
29	TTE-123-11	1	Trip Spring / Botton Angle Retainer Bar with bolts, 11'	\$350.00
30	TTE-123-12	1	Trip Spring / Botton Angle Retainer Bar with bolts, 12'	\$385.00
31	TTE-124	5	Torsion Trip Spring, Round Wire	\$155.00
32	TTE-125	5	Torsion Trip Spring, Square Wire	\$195.00
33	TTE-126	5	U-Bolt with Hardware - 7/16" with 4 Nuts & 2 Washers	\$12.00
34	TTE-127	2	Moldboard Support / Adjusting Bar, 16"	\$58.00
35	TTE-150-116PR *	1	Front Push Tube Assy - No Caster Mounting Brackets *	\$1,900.00
36	TTE-151-116PR	1	Front Push Tube Assy with Standard Caster Mounting Brackets	\$2,050.00
37	TTE-152-116PR *	1	Front Push Tube Assy with Special Dual Adjustable Caster Mounting Brackets	\$2,300.00
38	TTE-153	1	Pivot Pin with Bottom Retainer Plate / Bolt & Top Retaining Bolt	\$58.00
39	TTE-200PR	1	A-Frame Complete with Access Panel - No Swivel Adapter	\$2,100.00
40	TTE-200PR-QCP *	1	A-Frame Complete with QCP Loop - Not Pictured *	\$2,360.00
41	TTE-210 ***	1	Top Access Plate with Mounting Bolts (6 pcs 5/16" x 1" with Lock Washers)**	\$15.00
42	TTE-250	2	Bolt on Caster Housing	\$175.00
43	TTE-350	1	Swivel Bar Assembly - 21" Pin Centers, for 1-1/4" Swivel Bolt	\$425.00
44	TTE-351	1	Swivel Bar Assembly - 30-1/2" Pin Centers, for 1-1/4" Swivel Bolt	\$425.00
45	TTE-352	1	Swivel Bar Assembly - 4 Lugs for 1-1/4" Swivel Bolt, for use with Quick Rod	\$425.00
46	HY-3516	2	Hydraulic Cylinder, 3-1/2" x 16" Single Acting	\$840.00
47	DRV-4HH	1	Cushion Valve	\$198.00
48	RM-3	1	Cushion / Lock Valve	\$395.00
49	HCS-.5-2-G5-LNN **	**	Rubber Snow Shield Bolt with Nylon Lock Nut, 1/2" x 2" G-5 **	\$1.35
50	HCS-.625-2-G5-LNN	16	Bolt, 5/8" x 2" with Nylon Lock Nut G-5	\$2.25
51	HCS-1.25-4.5-G8-LNN	1	Swivel Bar Bolt with Nylon Lock Nut & Flat Washer, 1-1/4" x 4-1/2" G-8	\$29.00
52	HCS-1.25-6.5-G8-LNN	2	Cylinder Bolt with Nylon Lock Nut, Rod End 1-1/4" x 6-1/2" G-8	\$37.00
53	HCS-1.25-9-G8-LNN	2	Cylinder Bolt with Nylon Lock Nut, Base End 1-1/4" x 9" G-8	\$39.00

PRICES EFFECTIVE 9/1/14

TTE Series - Torsion Trip Edge - Straight Moldboard

ITEM	PART	QTY REQ	DESCRIPTION	PRICE EA
54	BBP-1-6	4	Pin, 1" x 6" with washer & Cotter	\$25.50
55	STP-1.25-4.5	4	Straight Pin, 1-1/4" x 4-1/2" with Washers & Cotters - Single Rib Locations	\$27.00
56	STP-1.25-6	2	Straight Pin, 1-1/4" x 6" with Washers & Cotters - Double Rib Locations	\$28.00
57	OR-400	2	Caster Fork Assembly with Wheel	\$870.00
58	OR-401	2	Caster Fork Assembly with Shoe	\$670.00
59	OR-401-C	2	Caster Fork Assembly with Carbide Shoe	\$798.00
60	OR-401-M *	2	Caster Fork Assembly with Mushroom Shoe *	\$715.00
61	OR-531	2	Caster Stem	\$84.00
62	OR-535	8	Caster Washer	\$1.65
63	OR-536	2	Thrust Bearing	\$21.00
64	OR-537	2	Caster Spring	\$48.00
65	OR-539	2	Caster Fork - Please Specify for 1" shoe pin or 1-3/16" Axle	\$360.00
66	OR-539M	2	Caster Fork, for Mushroom Shoe	\$360.00
67	OR-540A	2	Axle with Nut, 1-3/16"	\$59.00
68	OR-570	2	Caster Handle with Bolt	\$67.00
69	OR-572	2	Wear Shoe	\$134.00
70	OR-572-C	2	Carbide Shoe	\$290.00
71	OR-572-M-2	2	Mushroom shoe, 2"	\$210.00
72	OR-572-CM	2	Carbide Mushroom Shoe	\$320.00
73	OR-573A-8	2	Steel Wheel with Bearings, 8" x 3" x 1-3/16"	\$305.00
74	LT-541A-8	2	Poly Steel Wheel with Bearings, 8" x 3" x 1-3/16"	\$390.00
75	OR-575	2	Wear Shoe Pin	\$30.00
76	R-548	2	Moldboard Shoe	\$132.00
77	R-548-C	2	Carbide Moldboard Shoe	\$285.00
78	OR-647-60	2	Lift Chain with Shackle, 60"	\$54.00
79	OR-647-90 *	2	Single Lift Chain with Two Shackle, 90" for use with Slip Block *	\$115.00
80	OR-649	2	Shackle, 1/2"	\$21.50
81	OR-691	1	Jack Stand - Optional	\$119.00
82	RSS-12-10	1	Rubber Snow Shield, 3/8" x 12" x 10'	\$150.00
83	RSS-12-11	1	Rubber Snow Shield, 3/8" x 12" x 11'	\$165.00
84	RSS-12-12	1	Rubber Snow Shield, 3/8" x 12" x 12'	\$180.00
85	RSSR-10	1	Rubber Snow Shield Retainer Bar, 10'	\$45.00
86	RSSR-11	1	Rubber Snow Shield Retainer Bar, 11'	\$49.50
87	RSSR-12	1	Rubber Snow Shield Retainer Bar, 12'	\$54.00
88	HYH--06-06-06-15" *	2	3/8" x 15" Hydraulic Hose, 06-06 - Cylinders to Cushion or RM-3 Valve *	\$23.00
89	HYH--06-06-06-48" *	2	3/8" x 48" Hydraulic Hose, 06-06 - Cushion or RM-3 Valve to Truck *	\$37.50
90	HYF-1404-08-06 *	2	Straight Swivel Fitting, 1/2" - 3/8" - Cylinder Location *	\$4.90
91	HYF-1501-L-06-06 *	2	90 Degree Swivel Fitting, 3/8" - 3/8" - Cylinder Location *	\$6.90
92	HYF-1501-08-06 *	2	1/2"-3/8" 90 degree Swivel Fitting - Cushion Valve Location *	\$6.95
93	HYF-1503-08-06 *	2	1/2"-3/8" 45 degree Swivel Fitting - Cushion Valve Location *	\$6.95
94	HYF-6900-08-06 *	2	1/2" - 3/8" O-Ring to NPT Straight Swivel Fitting - RM-3 Valve Location *	\$6.00
95	HYF-6902-08-06 *	2	1/2" - 3/8" O-Ring to NPT 45 Degree Swivel Fitting - RM-3 Valve Location *	\$8.00
96	HYF-6408-08 *	2	Plug - for RM-3 Valve *	\$2.50
97	SPBFSE.5-8-120 *	1	1/2" X 8" X 10' Standard Center Punch Plow Blade *	\$248.00
98	SPBFSE.5-8-132 *	1	1/2" X 8" X 11' Standard Center Punch Plow Blade *	\$272.00
99	SPBFSE.5-8-144 *	1	1/2" X 8" X 12' Standard Center Punch Plow Blade *	\$297.00
100	SPBFSE.625-8-120 *	1	5/8" X 8" X 10' Standard Center Punch Plow Blade *	\$309.00
101	SPBFSE.625-8-132 *	1	5/8" X 8" X 11' Standard Center Punch Plow Blade *	\$340.00
102	SPBFSE.625-8-144 *	1	5/8" X 8" X 12' Standard Center Punch Plow Blade *	\$371.00

* Not Pictured

** Quantity for 10' plow 5, for 11' plow 7, for 12' plow 7

*** Some A-Frames May Not Have This Plate

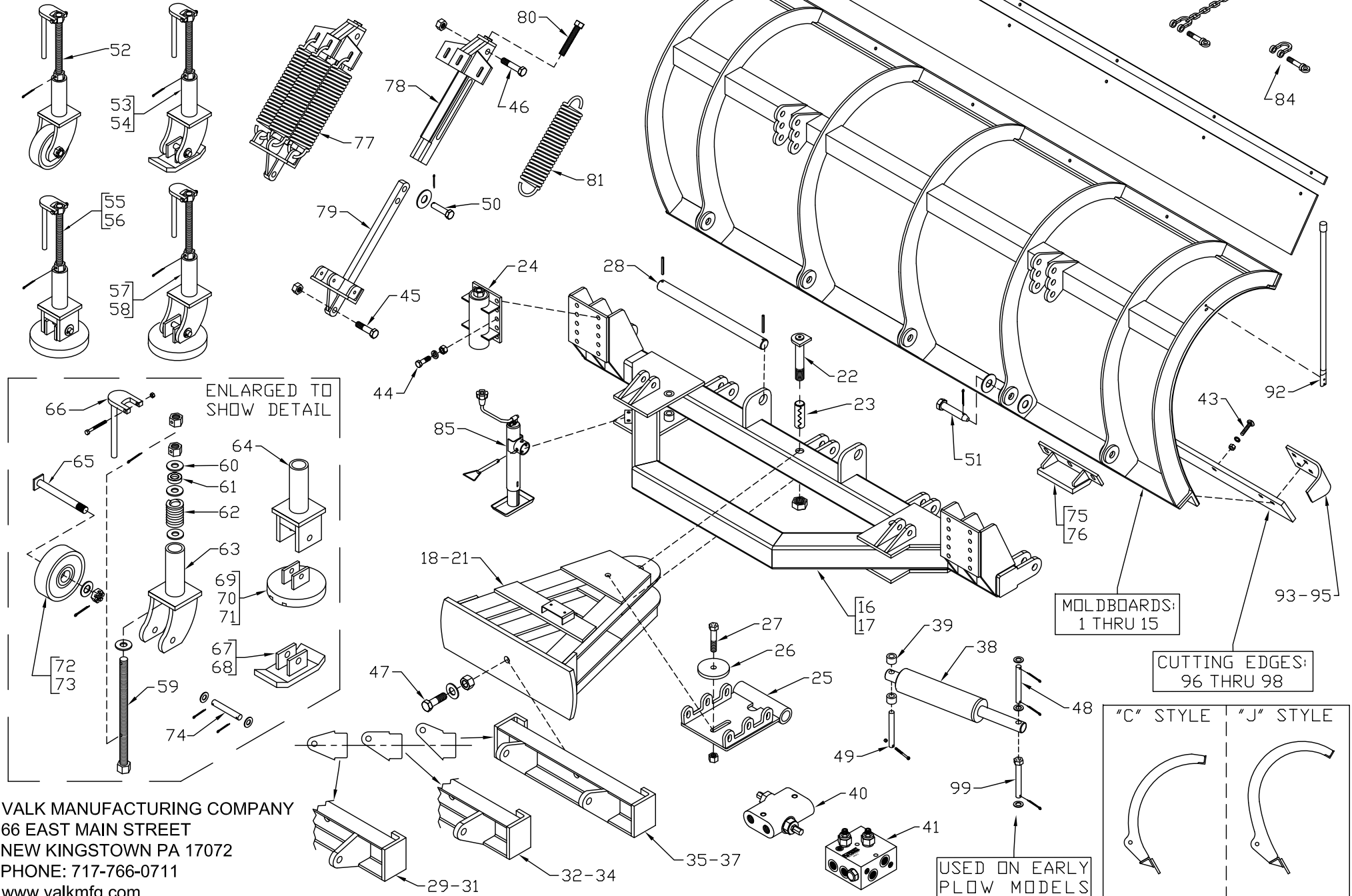
PRICES EFFECTIVE 9/1/14

VALK SNOWPLOWS

ORIGINAL - 10/28/16

RTP-ETG STRAIGHT SERIES TUBE TABLE PLOW PARTS DIAGRAM

NOTES: 1. ALL PINS COME WITH WASHERS AND HAIR PIN/COTTER PIN
2. ALL BOLTS COME WITH NUT AND WASHER/LOCK WASHER



VALK MANUFACTURING COMPANY
66 EAST MAIN STREET
NEW KINGSTOWN PA 17072
PHONE: 717-766-0711
www.valkmfg.com

VALK MANUFACTURING COMPANY

RTP SERIES TUBE TABLE PLOW PARTS SHEET

STRAIGHT MOLDBOARD - "ETG" EXTENSION TRIP GANGED

ITEM	PART	QTY REQ	DESCRIPTION	PRICE EA
1	RTP-101-1036-ETG	1	Moldboard, 10' x 36", 104" Hinge, Built-In "C" Style Shield, for ETG Plow	\$2,575.00
2	RTP-101-1042-ETG	1	Moldboard, 10' x 42", 104" Hinge, Built-In "C" Style Shield, for ETG Plow	\$2,675.00
3	RTP-101-1136-ETG	1	Moldboard, 11' x 36", 104" Hinge, Built-In "C" Style Shield, for ETG Plow	\$2,675.00
4	RTP-101-1142-ETG	1	Moldboard, 11' x 42", 104" Hinge, Built-In "C" Style Shield, for ETG Plow	\$2,775.00
5	RTP-101-1236-ETG	1	Moldboard, 12' x 36", 104" Hinge, Built-In "C" Style Shield, for ETG Plow	\$2,775.00
6	RTP-101-1242-ETG	1	Moldboard, 12' x 42", 104" Hinge, Built-In "C" Style Shield, for ETG Plow	\$2,875.00
7	RTP-102-1036-ETG	1	Moldboard, 10' x 36", 104" Hinge, Built-In "J" Style Shield, for ETG Plow	\$2,575.00
8	RTP-102-1042-ETG	1	Moldboard, 10' x 42", 104" Hinge, Built-In "J" Style Shield, for ETG Plow	\$2,675.00
9	RTP-102-1048-ETG	1	Moldboard, 10' x 48", 104" Hinge, Built-In "J" Style Shield, for ETG Plow	\$2,775.00
10	RTP-102-1136-ETG	1	Moldboard, 11' x 36", 104" Hinge, Built-In "J" Style Shield, for ETG Plow	\$2,675.00
11	RTP-102-1142-ETG	1	Moldboard, 11' x 42", 104" Hinge, Built-In "J" Style Shield, for ETG Plow	\$2,775.00
12	RTP-102-1148-ETG	1	Moldboard, 11' x 48", 104" Hinge, Built-In "J" Style Shield, for ETG Plow	\$2,875.00
13	RTP-102-1236-ETG	1	Moldboard, 12' x 36", 104" Hinge, Built-In "J" Style Shield, for ETG Plow	\$2,775.00
14	RTP-102-1242-ETG	1	Moldboard, 12' x 42", 104" Hinge, Built-In "J" Style Shield, for ETG Plow	\$2,875.00
15	RTP-102-1248-ETG	1	Moldboard, 12' x 48", 104" Hinge, Built-In "J" Style Shield, for ETG Plow	\$2,975.00
16	RTP-150-104PR-ETG *	1	Semi-Circle, 104" PR - No Level Lift for ETG Plows Std Caster Mtg Bckts *	\$2,500.00
17	RTP-151-104PR-ETG	1	Semi-Circle, 104" PR - Level Lift for ETG Plows Std Caster Mtg Bckts (Pictured)	\$2,650.00
18	RTP-200PR *	1	A-Frame, Power Reverse, No Level Lift - for 1-1/4" Swivel Bolt *	\$2,090.00
19	RTP-200PR-QCP **	1	A-Frame, Power Reverse, No Level Lift & QCP Adapter **	\$2,390.00
20	RTP-202PR-LL	1	A-Frame, Power Reverse with Level Lift - for 1-1/4" Swivel Bolt (Pictured)	\$2,190.00
21	RTP-202PR-LL-QCP **	1	A-Frame, Power Reverse with Level Lift & QCP Adapter **	\$2,490.00
	Note:		A-Frame with QCP adapter - Must Specify Mtg Ht or QCP Shipped Loose	
22	RTP-210	1	Pivot Bolt, Special, 1-1/2" X 8-1/2" with Nylon Lock Nut & Grease Fitting	\$49.00
23	RTP-211	1	Pivot Bolt Bushing, 1-1/2" ID x 5"	\$32.00
24	RTP-250	2	Bolt-On Caster Housing (Same as Pt # TTE-250,)	\$175.00
25	RTP-300	1	Level Lift Slide Plate	\$225.00
26	RTP-301	1	Level Lift Slide Plate Retainer Plate	\$30.00
27	RTP-302	1	Level Lift Slide Plate Retainer Bolt with 2 Nuts (1 Std & 1 Lock Nut)	\$9.50
28	RTP-303	1	Level Lift Slide Rod with Spring Pins, 3/8" x 3" (Same as VG-303)	\$125.00
29	RTP-350 or OR-501-20	1	Swivel Bar Assy - 21" Pin Centers, for 1-1/4" Swivel Bolt	\$425.00
30	RTP-351 or OR-501-21	1	Swivel Bar Assy - 30-1/2" Pin Centers, for 1-1/4" Swivel Bolt	\$425.00
31	RTP-352 or OR-501-22 *	1	Swivel Bar Assy - 4 Lugs, for 1-1/4" Swivel Bolt - for use with Quick Rod *	\$450.00
32	RTP-353 or OR-501-23	1	Swivel Bar Assy - 21" Pin Centers, for 1-1/4" Swivel Bolt	\$425.00
33	RTP-354 or OR-501-24	1	Swivel Bar Assy - 30-1/2" Pin Centers, for 1-1/4" Swivel Bolt	\$425.00
34	RTP-355 or OR-501-25 *	1	Swivel Bar Assy - 4 Lugs, for 1-1/4" Swivel Bolt - for use with Quick Rod *	\$450.00
35	RTP-356 or OR-501-26	1	Swivel Bar Assy - 21" Pin Centers, for 1-1/4" Swivel Bolt	\$425.00
36	RTP-357 or OR-501-27	1	Swivel Bar Assy - 30-1/2" Pin Centers, for 1-1/4" Swivel Bolt	\$425.00
37	RTP-358 or OR-501-28 *	1	Swivel Bar Assy - 4 Lugs, for 1-1/4" Swivel Bolt - for use with Quick Rod *	\$450.00
38	HY-412-DA	2	4" x 12" Double Acting Hydraulic Cylinder	\$625.00
39	OR-589-2	4	Cylinder Spacer Size 1-3/4" od x 1-1/16" id x 1-7/16" long	\$7.00
40	DRV-4HH	1	Cushion Valve	\$198.00
41	RM-3	1	Cushion / Lock Valve	\$395.00
42	HCS-.5-2-G5-LNN		Varies Rubber Snow Shield Bolt with Nylon Lock Nut, 1/2" x 2" G-5	\$1.35
43	CB-.625-3-G8-HN		Varies Carriage Bolt w/Nut & L.W. 5/8" x 3"	\$3.25
44	HCS-.75-2.5-G8-HN	16	Bolt, 3/4" x 2-1/2", Grade 8 with Lock Washer & Nut	\$3.85
45	HCS-1-5-G8-LNN	2	Bolt, 1" x 5", Grade 8 with Nylon Lock Nut	\$9.25
46	HCS-1-6-G8-LNN	2	Bolt, 1" x 6", Grade 8 with Nylon Lock Nut	\$12.00
47	HCS-1.25-4.5-G8-LNN	1	Bolt, 1-1/4" x 4-1/2", Grade 8 with Washer & Nylon Lock Nut	\$32.00
48	STP-1-7.5	2	Cylinder pin, Straight, 1" x 7-1/2" with Washers & Cotters	\$26.00
49	R-688-1	2	Cylinder Pin, Straight, 1" x 8" with Securing Bolt 3/8" x 2-1/2"	\$30.00
50	BBP-1-4	2	Pin, 1" x 4" with Washer & Cotter	\$23.00
51	BBP-1.25-6.5-T	5	Pin - Tapered, 1-1/4" x 6-1/2" with Washer & Cotter	\$34.00

PRICES EFFECTIVE 9/1/14

VALK MANUFACTURING COMPANY
P.O. BOX 428
NEW KINGSTOWN, PA 17072

Page 1

PHONE (717) 766-0711
FAX (717) 697-6297
WEBSITE: www.valkmfg.com

VALK MANUFACTURING COMPANY

RTP TUBE TABLE PLOW PARTS SHEET

STRAIGHT MOLDBOARD - "ETG" EXTENSION TRIP GANGED

ITEM	PART	QTY REQ	DESCRIPTION	PRICE EA
52	OR-400	2	Caster Fork Assembly with Wheel	\$870.00
53	OR-401	2	Caster Fork Assembly with Shoe	\$670.00
54	OR-401-C	2	Caster Fork Assembly with Carbide Shoe	\$798.00
55	OR-401-M *	2	Mushroom Fork Assembly with Mushroom Shoe *	\$715.00
56	OR-401-CM *	2	Mushroom Fork Assembly with Carbide Mushroom Shoe *	\$840.00
57	OR-401-STD-M	2	Standard Caster Fork Assembly with Mushroom Shoe	\$715.00
58	OR-401-STD-CM	2	Standard Caster Fork Assembly with Carbide Mushroom Shoe	\$840.00
59	OR-531	2	Caster Stem	\$84.00
60	OR-535	8	Caster Washer	\$1.65
61	OR-536	2	Thrust Bearing	\$21.00
62	OR-537	2	Caster Spring	\$48.00
63	OR-539	2	Caster Fork - Please Specify for 1" shoe pin or 1-3/16" Axle	\$360.00
64	OR-539M	2	Caster Fork, for Mushroom Shoe	\$360.00
65	OR-540A	2	Axle with Nut, 1-3/16"	\$59.00
66	OR-570	2	Caster Handle with Bolt	\$67.00
67	OR-572	2	Wear Shoe	\$134.00
68	OR-572-C	2	Carbide Shoe	\$290.00
69	OR-572-M-2	2	Mushroom shoe, 2"	\$210.00
70	OR-572-M-2.5	2	Mushroom shoe, 2-1/2"	\$225.00
71	OR-572-CM	2	Carbide Mushroom Shoe	\$320.00
72	OR-573A-8	2	Steel Wheel with Bearings, 8" x 3" x 1-3/16"	\$305.00
73	LT-541A-8	2	Poly Steel Wheel with Bearings, 8" x 3" x 1-3/16"	\$390.00
74	OR-575	2	Wear Shoe Pin	\$30.00
75	R-548	2	Moldboard Shoe	\$132.00
76	R-548-C	2	Carbide Moldboard Shoe	\$285.00
77	OR-587	2	Extension Trip Ganged "ETG" Assembly, Complete with Springs	\$790.00
78	OR-587-1	2	Extension Trip Ganged "ETG" Upper Slide Bar Assembly	\$150.00
79	OR-587-2	2	Extension Trip Ganged "ETG" Lower Slide Bar Assembly	\$150.00
80	OR-587-3	1	Spring Compression Tool	\$39.00
81	OR-588	6	Exposed Extension Trip Spring	\$186.00
82	OR-647-60	2	Lift Chain, 1/2" x 60" with 1/2" safety shackle	\$54.00
83	OR-647-90 *	1	Single Lift Chain with Two Shackle, 1/2" x 90" for use with Slip Block *	\$115.00
84	OR-649	2	Safety Shackel, 1/2"	\$21.50
85	OR-691	1	Jack Stand, Heavy Duty - Optional	\$119.00
86	RSS-12-10	1	Rubber Snow Shield, 3/8" x 12" x 10'	\$150.00
87	RSS-12-11	1	Rubber Snow Shield, 3/8" x 12" x 11'	\$165.00
88	RSS-12-12	1	Rubber Snow Shield, 3/8" x 12" x 12'	\$180.00
89	RSSR-10	1	Rubber Snow Shield Retainer Bar, 1/4" x 1-1/2" X 10'	\$40.50
90	RSSR-11	1	Rubber Snow Shield Retainer Bar, 1/4" x 1-1/2" X 11'	\$45.00
91	RSSR-12	1	Rubber Snow Shield Retainer Bar, 1/4" x 1-1/2" X 12'	\$49.50
92	S-594-36	1 Pr	End Marker, 36"	\$57.00
93	UCB-6-3-3	2	Universal 4 Hole Curb Bumper, 1/2" x 6"	\$90.00
94	UCB-HD-6-3-3	2	Universal 4 Hole Curb Bumper, 5/8" x 6"	\$99.00
95	UCB-XHD-6-3-3	2	Universal 4 Hole Curb Bumper, 3/4" x 6"	\$108.00
96	R-562-HD-10	1	Cutting Edge, 5/8" x 6" x 10' Std Hwy Punch	\$232.00
97	R-592-HD-11	1	Cutting Edge, 5/8" x 6" x 11' Std Hwy Punch	\$255.00
98	R-521-HD-12	1	Cutting Edge, 5/8" x 6" x 12' Std Hwy Punch	\$278.00
99	BBP-1-7 ***	4	Pin, 1" x 7" with Washer & Cotter - Cylinder Pin on Early Version Plows ***	\$27.00
100	QH-1	1	Quick Rod	\$79.00

* Not Pictured

** Not Pictured & Must Specify QCP Mtg Ht or QCP Loop Shipped Loose

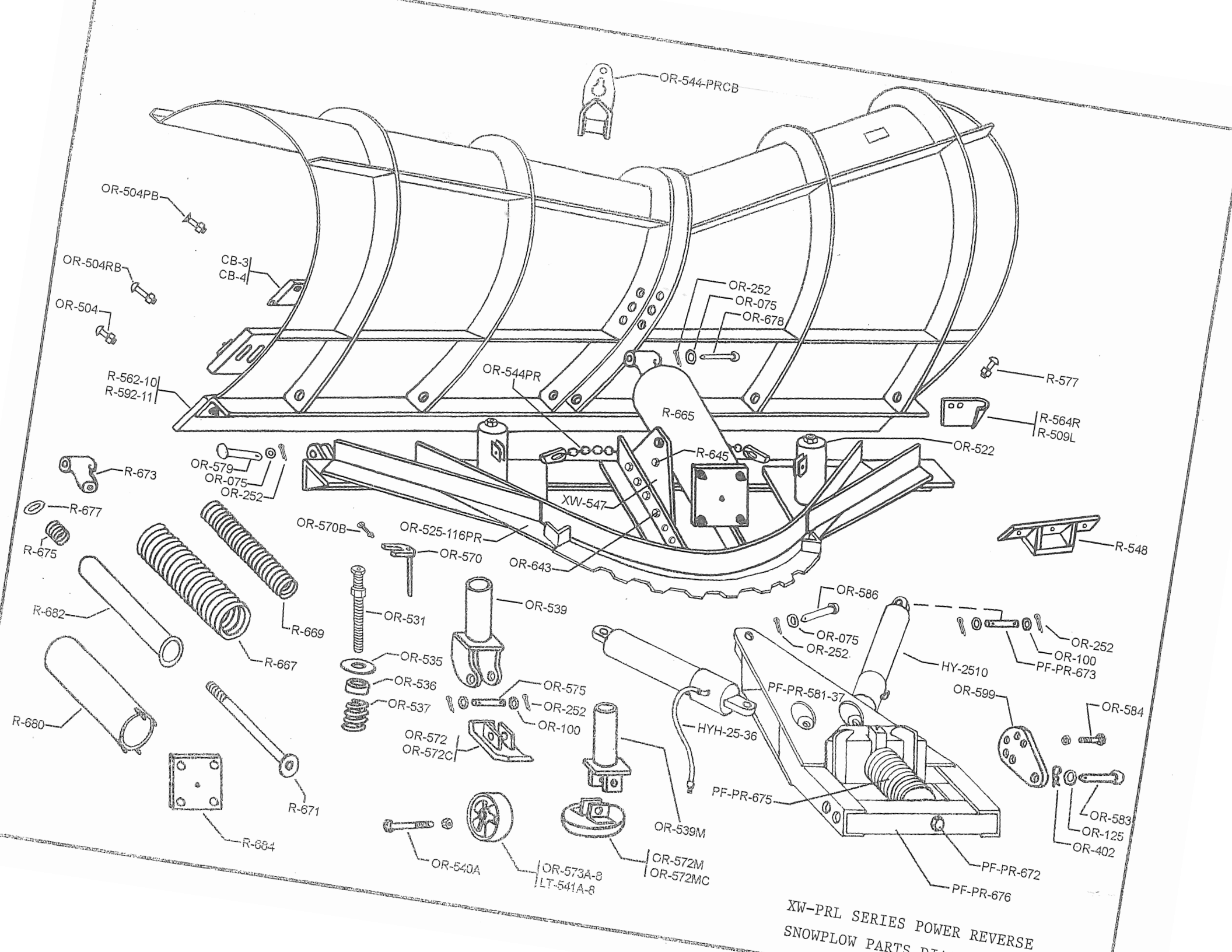
*** Used on Early Version Plows

PRICES EFFECTIVE 9/1/14

VALK MANUFACTURING COMPANY
P.O. BOX 428
NEW KINGSTOWN, PA 17072

Page 2

PHONE (717) 766-0711
FAX (717) 697-6297
WEBSITE: www.valkmfg.com



XW-PRL SERIES POWER REVERSE
 SNOWPLOW PARTS DI



XW PRL SERIES POWER REVERSE SNOWPLOW PARTS PRICE LIST

PART	DESCRIPTION	PRICE	PART	DESCRIPTION	PRICE
OR-075	Washer, 3/4"	1.30	OR-579	Connector Pin	18.00
OR-100	Washer, 1"	1.40	PF-PR-581-37	37" Power Reverse Push Frame	2190.00
OR-125	Washer, 1-1/4"	1.50	OR-583	Connector Block Pin	32.00
OR-252	Cotter Pin	1.15	OR-584	Connector Block Bolt	11.50
OR-400	Caster Fork Assembly with Wheel	870.00	OR-586	King Pin, (Long)	18.00
OR-401	Caster Fork Assembly with Shoe	670.00	R-592-11	Cutting Edge, 1/2" x 6" x 11' Std Hwy Punch	205.00
OR-401-C	Caster Fork Assembly with Carbide Shoe	798.00	OR-599	Connector Block	104.00
OR-401-M	Caster Fork Assembly with Mushroom Shoe	715.00	R-665	6" H.D. Trip Cylinder Assembly	1275.00
OR-402	Hair Pin	1.60	R-667	5-1/2" O.D. Outer Spring - for H.D. 6" Trip	245.00
OR-504	Cutting Edge Bolt	3.50	R-669	3-1/4" O.D. Inner Spring - for H.D. 6" Trip	150.00
OR-504-RB	Rubber Cutting Edge Bolt	5.90	R-671	1-1/2" O.D. Trip Cylinder Rod - for H.D. 6" Trip	139.00
OR-505	Trunnion Plate Bolt	6.50	R-673	Tee Connector	160.00
R-509L	Curb Bumper, Left	90.00	R-675	Cushion Spring	54.00
R-521-12	Cutting Edge, 1/2" x 6" x 12' Std Hwy Punch	220.00	R-677	Seperator Ring	18.00
OR-522	Caster Housinh With Nut	160.00	OR-678	Trip Cylinder Pin	25.50
OR-525-116PR	116" Power Reverse Semi-Circle Assembly	1,950.00	R-680	Trip Cylinder Housing - for H.D. 6" Trip	250.00
OR-531	Caster Stem	84.00	R-682	Inside Tube Assembly - for H.D. 6" Trip	240.00
OR-535	Caster Washer	1.65	R-684	Back Plate - for H.D. 6" Trip	93.00
OR-536	Thrust Bearing	21.00	PF-PR-672	Compression Spring Bolt	29.00
OR-537	Caster Spring	48.00	PF-PR-673	Cylinder Pin	17.00
OR-539	Caster Fork	360.00	PF-PR-674	Latch Block Assembly	920.00
OR-539-M	Caster Fork, for Mushroom Shoe	360.00	PF-PR-675	Compression Spring	119.00
OR-540	Axle, 1"	52.00	PF-PR-676	Back Channel	115.00
OR-540A	Axle, 1-3/16"	59.00	HY-2510	2-1/2" x 10" S.A. Hydraulic Cylinder	390.00
LT-541A-8	Poly Steel Wheel, 8" X 3" X 1-3/16"	390.00	HY-310	3" x 10" S.A. Hydraulic Cylinder	495.00
OR-543	Shackel	16.50	XW-10-MB	Moldboard, 10' Dual Tapered	3100.00
OR-544PR	Lift Chain Assembly with Slip Block	168.00	XW-11-MB	Moldboard, 11' Dual Tapered	3500.00
OR-544-PR-CB	Lift Chain Slip Block	89.00	XW-12-MB	Moldboard, 12' Dual Tapered	3900.00
OR-545	Lift Chain Spring with Hooks	84.00	M-500 7 W/F	Electric Hydraulic Pump, Manual Controls	1450.00
OR-546	Plate Tie Bolt	35.00	M-679	Electric Hydraulic Pump, Electric Controls	2550.00
XW-547	Trunnion Plates (Pair)	239.00	M-3579	Electric Hydraulic Pump, Electric Controls	1650.00
R-548	Moldboard Shoe	132.00	S-594-28	End Marker, 28" (Pair) Not Pictured	50.00
R-548-C	Carbide Moldboard Shoe	285.00	S-594-36	End Marker, 36" (Pair) Not Pictured	57.00
R-562-10	Cutting Edge, 1/2" x 6" x 10' Std Hwy Punch	186.00	RB-10-9	Rubber Cutting Edge, 1-1/2" X 10" X 9'	360.00
R-564R	Curb Bumper, Right	90.00	RB-10-10	Rubber Cutting Edge, 1-1/2" X 10" X 10'	400.00
OR-570	Caster Handle	67.00	RB-10-11	Rubber Cutting Edge, 1-1/2" X 10" X 11'	440.00
OR-572	Wear Shoe	134.00	RB-10-12	Rubber Cutting Edge, 1-1/2" X 10" X 12'	480.00
OR-572-C	Carbide Wear Shoe	290.00	RBR-9	Retainer Bar, 9'	45.00
OR-572-M	1-1/2" X 12" Mushroom Shoe	205.00	RBR-10	Retainer Bar, 10'	50.00
OR-573-8	Wheel with Bearings, 8" x 3" x 1"	325.00	RBR-11	Retainer Bar, 11'	55.00
OR-573A-8	Wheel with Bearings, 8" x 3" x 1-3/16"	305.00	RBR-12	Retainer Bar, 12'	60.00
OR-575	Wear Shoe Pin	30.00			
R-577	Curb Bumper Bolt	4.90			

PRICES EFFECTIVE 9/1/14

VALK MANUFACTURING COMPANY
P.O. BOX 428
NEW KINGSTOWN, PA 17013

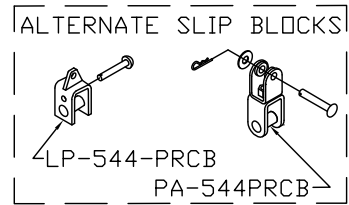
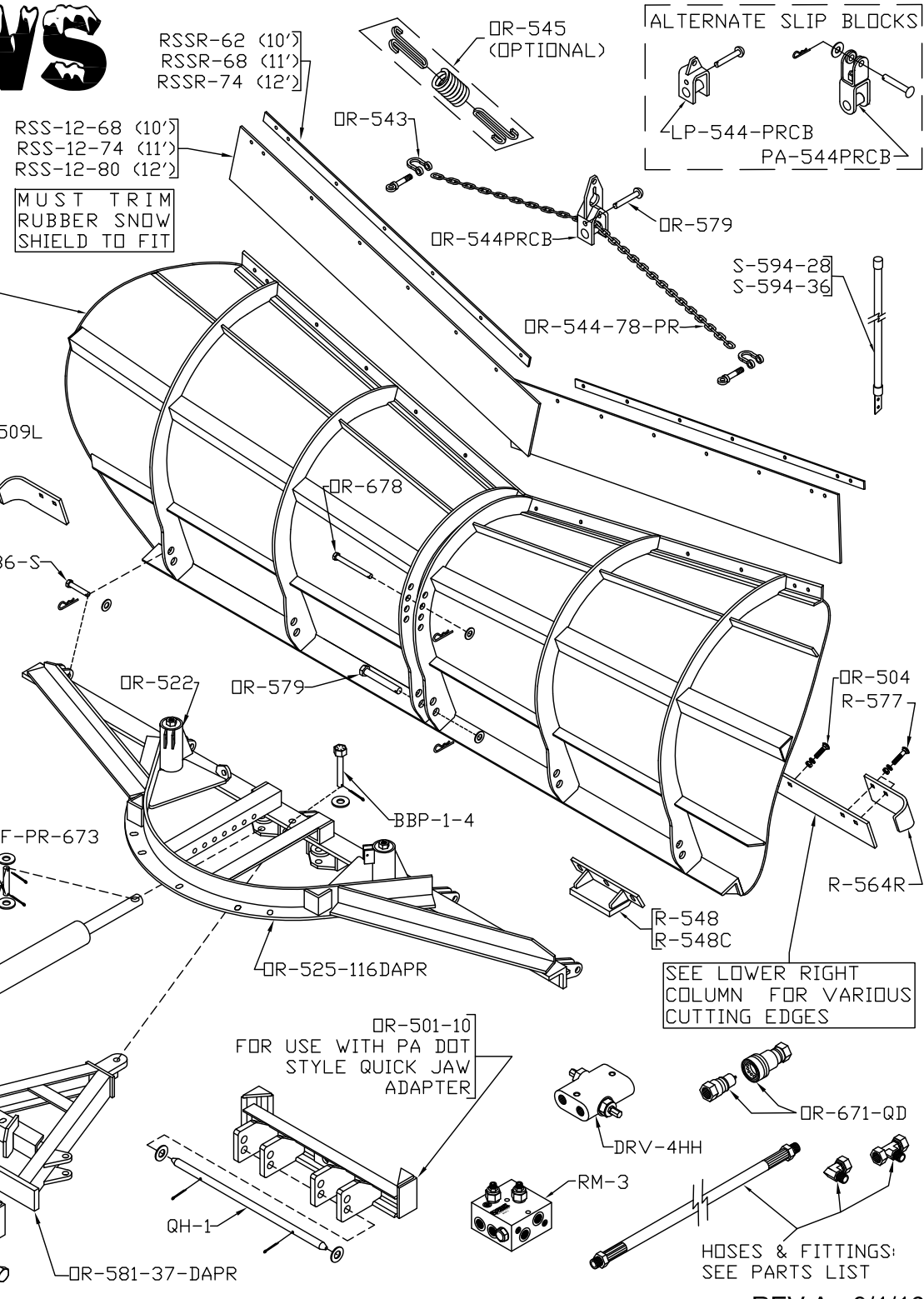
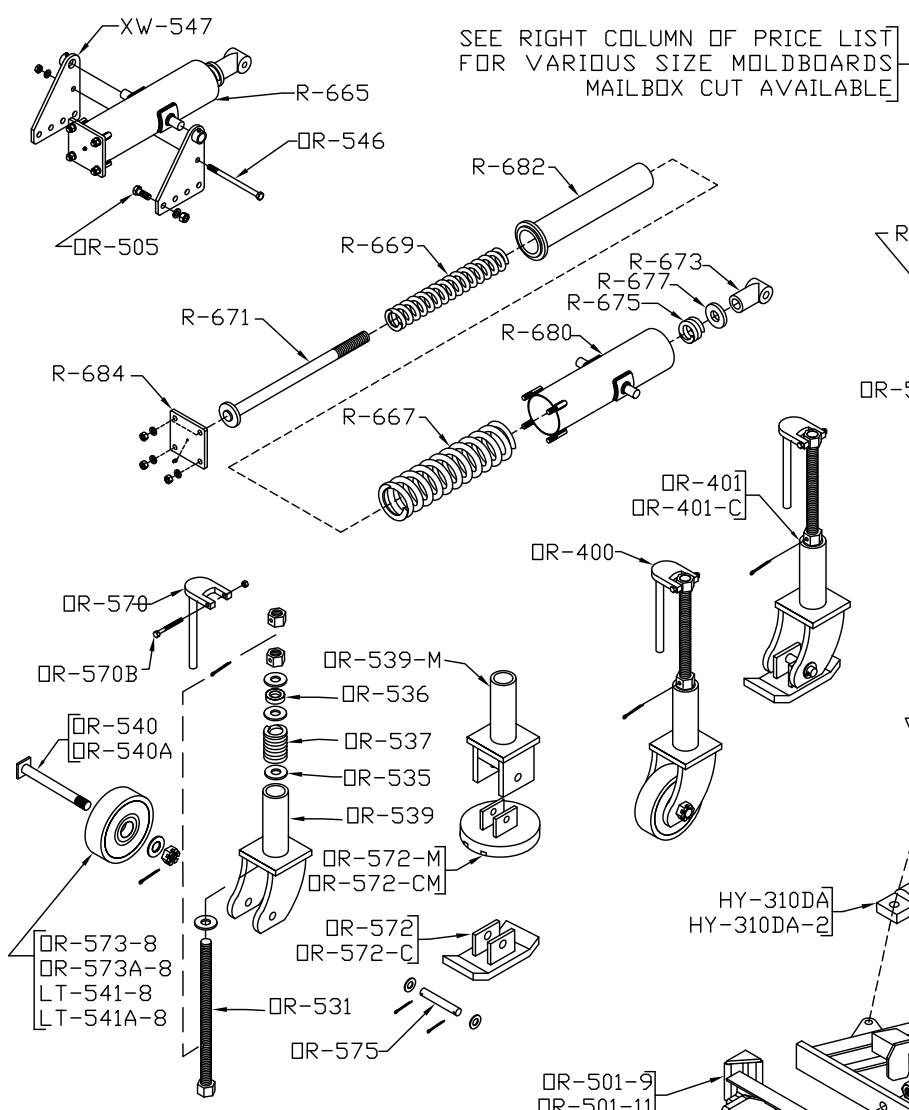
WEBSITE: www.valkmfg.com
e-mail: plowsales@valkmfg.com

PHONE: (717) 766-0711
FAX: (717) 697-6297

VALK SNOWPLOWS

XW DAPR SERIES POWER REVERSE PARTS

NOTES: 1. ALL PINS COME WITH WASHERS AND HAIR PIN/COTTER PIN
 2. ALL BOLTS COME WITH NUT AND WASHER/LOCK WASHER
 3. HEAVY DUTY (HD) OPTION FOR MOLDBOARD AND SEMICIRCLE SHOWN IN BOTTOM RIGHT COLUMN OF PRICE LIST.



VALK MANUFACTURING COMPANY
 66 EAST MAIN STREET
 NEW KINGSTOWN PA 17072
 www.valkmfg.com



XW DAPR SERIES POWER REVERSE SNOWPLOW PARTS PRICE LIST

PART	DESCRIPTION	PRICE	PART	DESCRIPTION	PRICE
OR-400	Caster Fork Assy. with Wheel	870.00	R-675	Cushion Spring - for H.D. 6" Trip	54.00
OR-401	Caster Fork Assy. with Shoe	670.00	R-677	Separator Ring - for H.D. 6" Trip	18.00
OR-401-C	Caster Fork Assy. with Carbide Shoe	798.00	OR-678	Pin, 1" x 6" with Washer & Hair Pin or Cotter	25.50
OR-401-M *	Caster Fork Assy. with Mushroom Shoe *	715.00	R-680	Trip Cylinder Housing - for H.D. 6" Trip	250.00
OR-501-9	Swivel Bar Assy, 21" Pin Centers Standard	410.00	R-682	Inside Tube Assembly - for H.D. 6" Trip	240.00
OR-501-10	Swivel Bar Assy - 4 lugs for Quick Rod	425.00	R-684	Back Plate - for H.D. 6" Trip	93.00
QH-1	Quick Rod with Washers & Cotters	79.00	PF-PR-673	Cylinder Pin with Washers & Cotters	17.00
OR-501-11	Swivel Bar Assy, 30-1/2" Pin Centers	410.00	BBP-1-4	Bolt Blank Pin, 1" x 4" with Washer & Cotter	23.00
OR-502-1	Swivel Bar Bolt, 1-1/4" x 5" with Nut	35.00	S-594-28	End Marker, 28" (Pair)	50.00
OR-504	Cutting Edge Bolt, 5/8" x 2-1/2" Carriage Bolt	3.50	S-594-36	End Marker, 36" (Pair)	57.00
OR-505	Trunnion Plate Bolt	6.50	RSS-12-68	Rubber Snow Shield, 3/8" x 12" x 68" (2 Required)	85.00
R-509L	Curb Bumper, Left	90.00	RSS-12-74	Rubber Snow Shield, 3/8" x 12" x 74" (2 Required)	92.50
OR-522	Caster Housing with Nut - Weld in Style	160.00	RSS-12-80	Rubber Snow Shield, 3/8" x 12" x 80" (2 Required)	100.00
OR-525-116DAPR	116" Power Reverse Semi-Circle Assy.	1,950.00	RSSR-62	Rubber Snow Shield Retainer Bar, 62" (2 Required)	23.25
OR-531	Caster Stem with Washers & Nuts	84.00	RSSR-68	Rubber Snow Shield Retainer Bar, 68" (2 Required)	25.50
OR-535	Caster Washer	1.65	RSSR-74	Rubber Snow Shield Retainer Bar, 74" (2 Required)	27.75
OR-536	Thrust Bearing	21.00	XW-10-MB-LP	Moldboard, Dual Tapered Low, 10' x 36" x 48"	2,700.00
OR-537	Caster Spring	48.00	XW-11-MB-LP	Moldboard, Dual Tapered Low, 11' x 36" x 49"	3,100.00
OR-539	Caster Fork - Specify for 1" or 1-3/16"	360.00	XW-12-MB-LP	Moldboard, Dual Tapered Low, 12' x 36" x 50"	3,500.00
OR-539-M	Caster Fork, for Mushroom Shoe	360.00	XW-10-MB	Moldboard, Dual Tapered Mid Ht, 10' x 42" x 54"	3,100.00
OR-540	Axle, 1", with Nut	52.00	XW-11-MB	Moldboard, Dual Tapered Mid Ht, 11' x 42" x 55"	3,500.00
OR-540A	Axle, 1-3/16", with Nut	59.00	XW-12-MB	Moldboard, Dual Tapered Mid Ht, 12' x 42" x 56"	3,900.00
LT-541-8	Poly Steel Wheel, 8" x 3" x 1"	410.00	OR-671 QD	Quick Disconnect, 3/8" ISO-B	54.00
LT-541A-8	Poly Steel Wheel, 8" x 3" x 1-3/16"	390.00	HY-310-DA	3" x 10" D.A. Hydraulic Cylinder, 1-1/2" Rod.	495.00
OR-543	Shackle	16.50	HY-310-DA-2	3" x 10" D.A. Hydraulic Cylinder, 2" Rod.	525.00
OR-544-78-PR	Lift Chain Assy. 78" With Slip Block	169.00	DRV-4HH	Cushion Valve	198.00
OR-544-PR-CB	Lift Chain Slip Block, Standard	89.00	RM-3	Cushion / Lock Valve	395.00
LP-544-PR-CB	Low Profile Slip Block	81.00	Hoses & Fittings for Standard Cushion Valve		
PA-544-PR-CB	Swivel Style Slip Block	99.00	HYH-06-06-06-48	Hose, 3/8" x 48" (Cyl Left Front to Cushion & to Truck)	37.50
OR-545	Lift Chain Spring with Hooks (Optional)	84.00	HYH-06-06-06-32	Hose, 3/8" x 32" (Cyl Left Rear & Right Front to Cushion)	31.00
OR-546	Trunnion Plate Tie Bolt	35.00	HYH-06-06-06-22	Hose, 3/8" x 22" (Cyl Right Rear to Cushion Valve)	27.00
XW-547	Trunnion Plates, (Pair)	239.00	HYF-1501-08-06	1/2" - 3/8" 90 Degree Swivel Fitting (Cylinder Location)	4.95
R-548	Moldboard Shoe	132.00	HYF-1503-08-06	1/2" - 3/8" 45 Degree Swivel Fitting (Cushion Valve)	4.95
R-548-C	Carbide Moldboard Shoe	285.00	HYF-1601-06-06-06	3/8" Tee Fitting (Used at Cushion Valve)	7.60
R-564R	Curb Bumper, Right	90.00	Hoses & Fittings for RM-3 Cushion / Lock Valve		
OR-570	Caster Handle with Bolt	67.00	HYH-06-06-06-48	Hose, 3/8" x 48" (RM-3 Valve to Truck)	37.50
OR-570-B	Caster Handle Bolt	3.75	HYH-06-06-06-34	Hose, 3/8" x 34" (Cyl Front to RM-3 Valve)	32.00
OR-572	Wear Shoe	134.00	HYH-06-06-06-22	Hose, 3/8" x 22" (Cyl Rear to RM-3 Valve)	27.00
OR-572-C	Carbide Shoe	290.00	HYF-1501-08-06	1/2" - 3/8" 90 Degree Swivel Fitting (Cylinder Location)	4.95
OR-572-M	Mushroom Shoe, 1-1/2" x 12"	205.00	HYF-1601-06-06-06	3/8" Tee Fitting (Used at RM-3 Valve)	7.60
OR-572-CM	Carbide Mushroom Shoe, 1-1/2" x 12"	320.00	HYF-6900-08-06	1/2" - 3/8" Straight Swivel O-ring Fitting (at RM-3 Valve)	5.00
OR-573-8	Wheel, 8" x 3" x 1"	325.00	HYF-6901-08-06	1/2" - 3/8" 90 Degree O-Ring Fitting (at RM-3 Valve)	9.00
OR-573A-8	Wheel, 8" x 3" x 1-3/16"	305.00	HYF-6902-08-06	1/2" - 3/8" 45 Degree O-Ring Fitting (at RM-3 Valve)	9.00
OR-575	Wear Shoe Pin with Washers & Cotters	30.00	Cutting Edges		
R-577	Curb Bumper Bolt	4.90	R-562-10	Cutting Edge, 1/2" x 6" x 10' Std Hwy Punch	186.00
OR-579	Connector Pin, 3/4" x 5-1/2" with Washer & Cotter	18.00	R-562-HD-10	Cutting Edge, 5/8" x 6" x 10' Std Hwy Punch	232.00
OR-581-37-DAPR	Power Reverse Push Frame (A-Frame)	1,650.00	R-592-11	Cutting Edge, 1/2" x 6" x 11' Std Hwy Punch	205.00
OR-583	Connector Block Pin with Washer & Hair Pin	32.00	R-592-HD-11	Cutting Edge, 5/8" x 6" x 11' Std Hwy Punch	255.00
OR-586-S	Connector Pin Short, 3/4" x 3-1/2" with Washer & Cotter	17.00	R-521-12	Cutting Edge, 1/2" x 6" x 12' Std Hwy Punch	220.00
R-665	6" H.D. Trip Cylinder Assembly	1,275.00	R-521-HD-12	Cutting Edge, 5/8" x 6" x 12' Std Hwy Punch	278.00
R-667	5-1/2" O.D. Outer Spring - for H.D. 6" Trip	245.00	Moldboard Option	BSS - Built-in Snow Shield on any Moldboard	110.00
R-669	3-1/4" O.D. Inner Spring - for H.D. 6" Trip	150.00	Moldboard Option	HD - 4"x4"x5/8" Bottom Angle On Any Moldboard	110.00
R-671	1-1/2" O.D. Trip Cylinder Rod - for H.D. 6" Trip	139.00	Moldboard Option	Mail Box Cut on any Moldboard	No Charge
R-673	Tee Connector - for H.D. 6" Trip	160.00	Semi-Circle Option	HD - 5/8" Angle On Any Semi-Circle	125.00

PRICES EFFECTIVE 9/1/14 REV A

VALK MANUFACTURING COMPANY
P.O. BOX 428
NEW KINGSTOWN, PA 17013

* Not Pictured
WEBSITE: www.valkmfg.com
e-mail: plowsales@valkmfg.com

PHONE: (717)-766-0711
FAX: (717)697-6297

VALK SNOWPLOWS

XW DAPRECT SERIES POWER REVERSE PARTS

NOTES: 1. ALL PINS COME WITH WASHERS AND HAIR PIN/COTTER PIN
 2. ALL BOLTS COME WITH NUT AND WASHER/LOCK WASHER
 3. HEAVY DUTY (HD) OPTION FOR MOLDBOARD AND SEMICIRCLE
 SHOWN IN BOTTOM RIGHT COLUMN OF PRICE LIST.

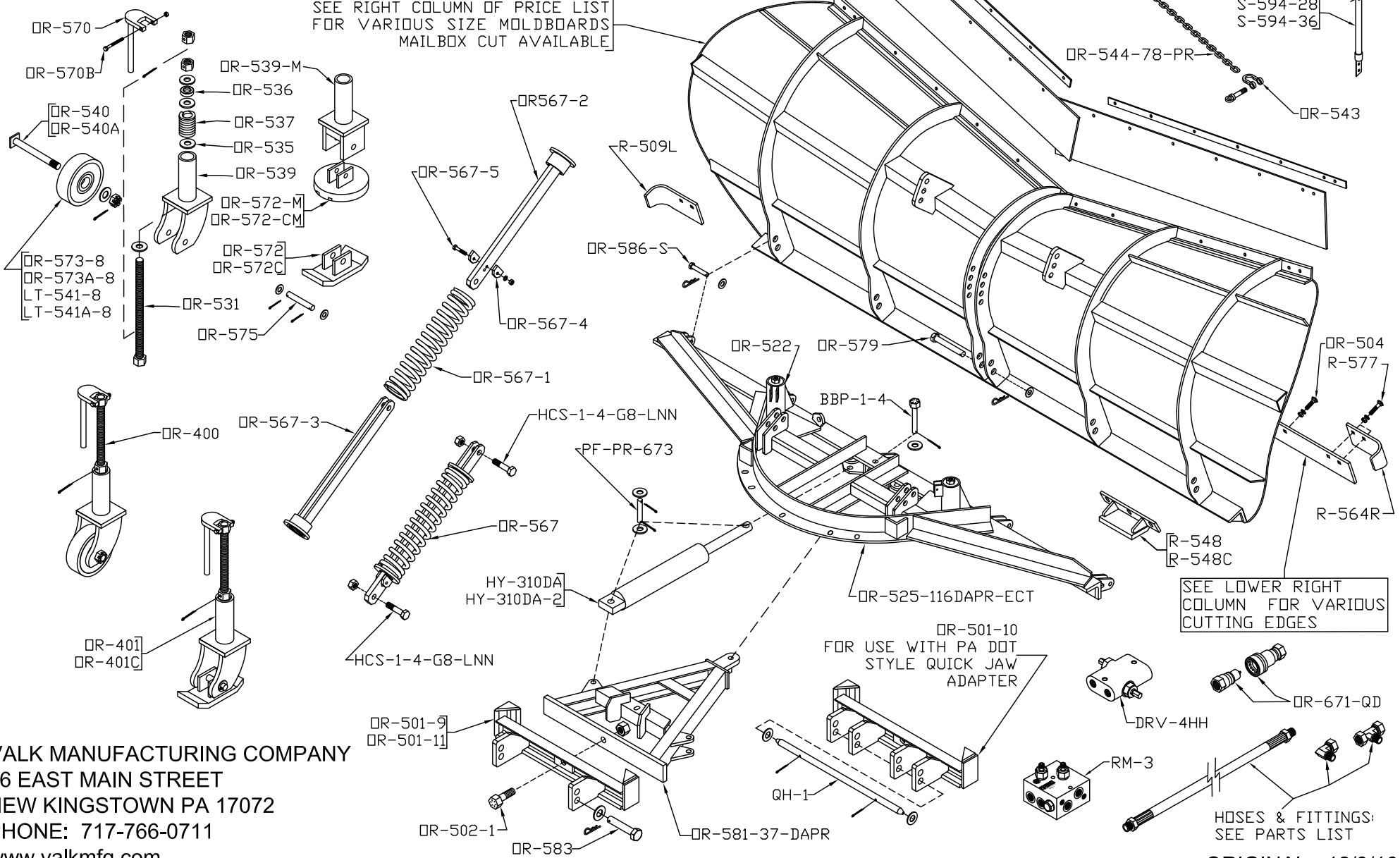
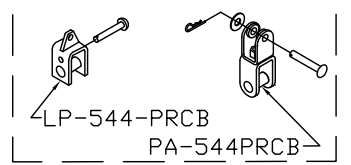
SEE RIGHT COLUMN OF PRICE LIST
 FOR VARIOUS SIZE MOLDBOARDS
 MAILBOX CUT AVAILABLE

RSSR-62 (10')
 RSSR-68 (11')
 RSSR-74 (12')

RSS-12-68 (10')
 RSS-12-74 (11')
 RSS-12-80 (12')

MUST TRIM RUBBER
 SNOW SHIELD TO FIT

ALTERNATE SLIP BLOCKS



VALK MANUFACTURING COMPANY
 66 EAST MAIN STREET
 NEW KINGSTOWN PA 17072
 PHONE: 717-766-0711
 www.valkmfg.com



VALK SNOWPLOWS

KW-DAPR-ECT SERIES POWER REVERSE SNOWPLOW PARTS PRICE LIST

PART	DESCRIPTION	PRICE	PART	DESCRIPTION	PRICE
OR-400	Caster Fork Assy. with Wheel	870.00	OR-581-37-DAPR	Power Reverse Push Frame (A-Frame)	1,650.00
OR-401	Caster Fork Assy. with Shoe	670.00	OR-583	Connector Block Pin with Washer & Hair Pin	32.00
OR-401-C	Caster Fork Assy. with Carbide Shoe	798.00	OR-586-S	Connector Pin Short, 3/4" x 3-1/2" with Washer & Cotter	17.00
OR-401-M *	Mushroom Fork Assy. with Mushroom Shoe *	715.00	PF-PR-673	Cylinder Pin with Washers & Cotters	17.00
OR-401-CM *	Mushroom Fork Assy. with Carbide Mushroom Shoe *	840.00	BBP-1-4	Bolt Blank Pin, 1" x 4" with Washer & Cotter	23.00
OR-401-STD-M *	Standard Fork Assy. with Mushroom Shoe *	715.00	S-594-28	End Marker, 28" (Pair)	50.00
OR-401-STD-CM *	Standard Fork Assy. with Carbide Mushroom Shoe *	840.00	S-594-36	End Marker, 36" (Pair)	57.00
OR-501-9	Swivel Bar Assy, 21" Pin Centers Standard	410.00	RSS-12-68	Rubber Snow Shield, 3/8" x 12" x 68" (2 Required)	85.00
OR-501-10	Swivel Bar Assy - 4 lugs for Quick Rod	425.00	RSS-12-74	Rubber Snow Shield, 3/8" x 12" x 74" (2 Required)	92.50
QH-1	Quick Rod with Washers & Cotters	79.00	RSS-12-80	Rubber Snow Shield, 3/8" x 12" x 80" (2 Required)	100.00
OR-501-11	Swivel Bar Assy, 30-1/2" Pin Centers	410.00	RSSR-62	Rubber Snow Shield Retainer Bar, 62" (2 Required)	23.25
OR-502-1	Swivel Bar Bolt, 1-1/4" x 4-1/2" with Nut	35.00	RSSR-68	Rubber Snow Shield Retainer Bar, 68" (2 Required)	25.50
OR-504	Cutting Edge Bolt, 5/8" x 2-1/2" Carriage Bolt	3.50	RSSR-74	Rubber Snow Shield Retainer Bar, 74" (2 Required)	27.75
R-509L	Curb Bumper, Left, 1/2" x 6"	90.00	XW-10-MB-LP-ECT	Moldboard, Dual Tapered Low, 10' x 36" x 48" **	2,700.00
OR-522	Caster Housing with Nut - Weld in Style	160.00	XW-11-MB-LP-ECT	Moldboard, Dual Tapered Low, 11' x 36" x 49" **	3,100.00
OR-525-116DA PR-ECT	116" Power Reverse ECT Semi-Circle Assy.	1,950.00	XW-12-MB-LP-ECT	Moldboard, Dual Tapered Low, 12' x 36" x 50" **	3,500.00
OR-531	Caster Stem with Washers & Nuts	84.00	XW-10-MB-ECT	Moldboard, Dual Tapered Mid Ht, 10' x 42" x 54" **	3,100.00
OR-535	Caster Washer	1.65	XW-11-MB-ECT	Moldboard, Dual Tapered Mid Ht, 11' x 42" x 55" **	3,500.00
OR-536	Thrust Bearing	21.00	XW-12-MB-ECT	Moldboard, Dual Tapered Mid Ht, 12' x 42" x 56" **	3,900.00
OR-537	Caster Spring	48.00		**Note: All Moldboards for XW-DAPR-ECT Plows	
OR-539	Caster Fork - Specify for 1" or 1-3/16"	360.00	OR-671 QD	Quick Disconnect, 3/8" ISO-B	54.00
OR-539-M	Caster Fork, for Mushroom Shoe	360.00	HY-310-DA	3" x 10" D.A. Hydraulic Cylinder, 1-1/2" Rod.	495.00
OR-540	Axle, 1", with Nut	52.00	HY-310-DA-2	3" x 10" D.A. Hydraulic Cylinder, 2" Rod.	525.00
OR-540A	Axle, 1-3/16", with Nut	59.00	DRV-4HH	Cushion Valve	198.00
LT-541-8	Poly Steel Wheel, 8" x 3" x 1"	410.00	RM-3	Cushion / Lock Valve	395.00
LT-541A-8	Poly Steel Wheel, 8" x 3" x 1-3/16"	390.00		Hoses & Fittings for Standard Cushion Valve	
OR-543	Shackle	16.50	HYH-06-06-06-48	Hose, 3/8" x 48" (Cyl Left Front to Cushion & to Truck)	37.50
OR-544-78-PR	Lift Chain Assy. 78" With Slip Block	169.00	HYH-06-06-06-32	Hose, 3/8" x 32" (Cyl Left Rear & Right Front to Cushion)	31.00
OR-544-PR-CB	Lift Chain Slip Block, Standard	89.00	HYH-06-06-06-22	Hose, 3/8" x 22" (Cyl Right Rear to Cushion Valve)	27.00
LP-544-PR-CB	Low Profile Slip Block	81.00	HYF-1501-08-06	1/2" - 3/8" 90 Degree Swivel Fitting (Cylinder Location)	4.95
PA-544-PR-CB	Swivel Style Slip Block	99.00	HYF-1503-08-06	1/2" - 3/8" 45 Degree Swivel Fitting (Cushion Valve)	4.95
OR-545	Lift Chain Spring with Hooks (Optional)	84.00	HYF-1601-06-06-06	3/8" Tee Fitting (Used at Cushion Valve)	7.60
R-548	Moldboard Shoe	132.00		Hoses & Fittings for RM-3 Cushion / Lock Valve	
R-548-C	Carbide Moldboard Shoe	285.00	HYH-06-06-06-48	Hose, 3/8" x 48" (RM-3 Valve to Truck)	37.50
R-564R	Curb Bumper, Right, 1/2" x 6"	90.00	HYH-06-06-06-34	Hose, 3/8" x 34" (Cyl Front to RM-3 Valve)	32.00
OR-567	Compression Trip Assy, Long	570.00	HYH-06-06-06-22	Hose, 3/8" x 22" (Cyl Rear to RM-3 Valve)	27.00
OR-567-1	Compression Trip Spring, Long	245.00	HYF-1501-08-06	1/2" - 3/8" 90 Degree Swivel Fitting (Cylinder Location)	4.95
OR-567-2	Compression Trip Slider, Long, Top	164.00	HYF-1601-06-06-06	3/8" Tee Fitting (Used at RM-3 Valve)	7.60
OR-567-3	Compression Trip Slider, Long, Bottom	175.00	HYF-6900-08-06	1/2" - 3/8" Straight Swivel O-ring Fitting (at RM-3 Valve)	5.00
OR-567-4	Trip Return Stop	13.00	HYF-6901-08-06	1/2" - 3/8" 90 Degree O-Ring Fitting (at RM-3 Valve)	9.00
OR-567-5	Trip Return Stop Bolt, 5/8x3-1/2 w/Nut & LW G-5	2.75	HYF-6902-08-06	1/2" - 3/8" 45 Degree O-Ring Fitting (at RM-3 Valve)	9.00
HCS-1-4-G8-LNN	Trip Spring Bolt & Nylon Lock Nut, 1" x 4" G-8	7.50		Cutting Edges	
OR-570	Caster Handle with Bolt	67.00	R-562-10	Cutting Edge, 1/2" x 6" x 10' Std Hwy Punch	186.00
OR-570-B	Caster Handle Bolt	3.75	R-562-HD-10	Cutting Edge, 5/8" x 6" x 10' Std Hwy Punch	232.00
OR-572	Wear Shoe	134.00	R-592-11	Cutting Edge, 1/2" x 6" x 11' Std Hwy Punch	205.00
OR-572-C	Carbide Shoe	290.00	R-592-HD-11	Cutting Edge, 5/8" x 6" x 11' Std Hwy Punch	255.00
OR-572-M	Mushroom Shoe, 1-1/2" x 12"	205.00	R-521-12	Cutting Edge, 1/2" x 6" x 12' Std Hwy Punch	220.00
OR-572-CM	Carbide Mushroom Shoe, 1-1/2" x 12"	320.00	R-521-HD-12	Cutting Edge, 5/8" x 6" x 12' Std Hwy Punch	278.00
	Note: Mushroom Shoes Available in 2" and 2-1/2" Thick			Options	
OR-573-8	Wheel, 8" x 3" x 1"	325.00	Moldboard Option	BSS - Built-in Snow Shield on any Moldboard	110.00
OR-573A-8	Wheel, 8" x 3" x 1-3/16"	305.00	Moldboard Option	HD - 4"x4"x5/8" Bottom Angle On Any Moldboard	110.00
OR-575	Wear Shoe Pin with Washers & Cotters	30.00	Moldboard Option	Mail Box Cut on any Moldboard	No Charge
R-577	Curb Bumper Bolt	4.90	Semi-Circle Option	HD - 5/8" Angle On Any Semi-Circle	125.00
OR-579	Connector Pin, 3/4" x 5-1/2" with Washer & Cotter	18.00			

PRICES EFFECTIVE 9/1/14

VALK MANUFACTURING COMPANY
P.O. BOX 428
NEW KINGSTOWN, PA 17013

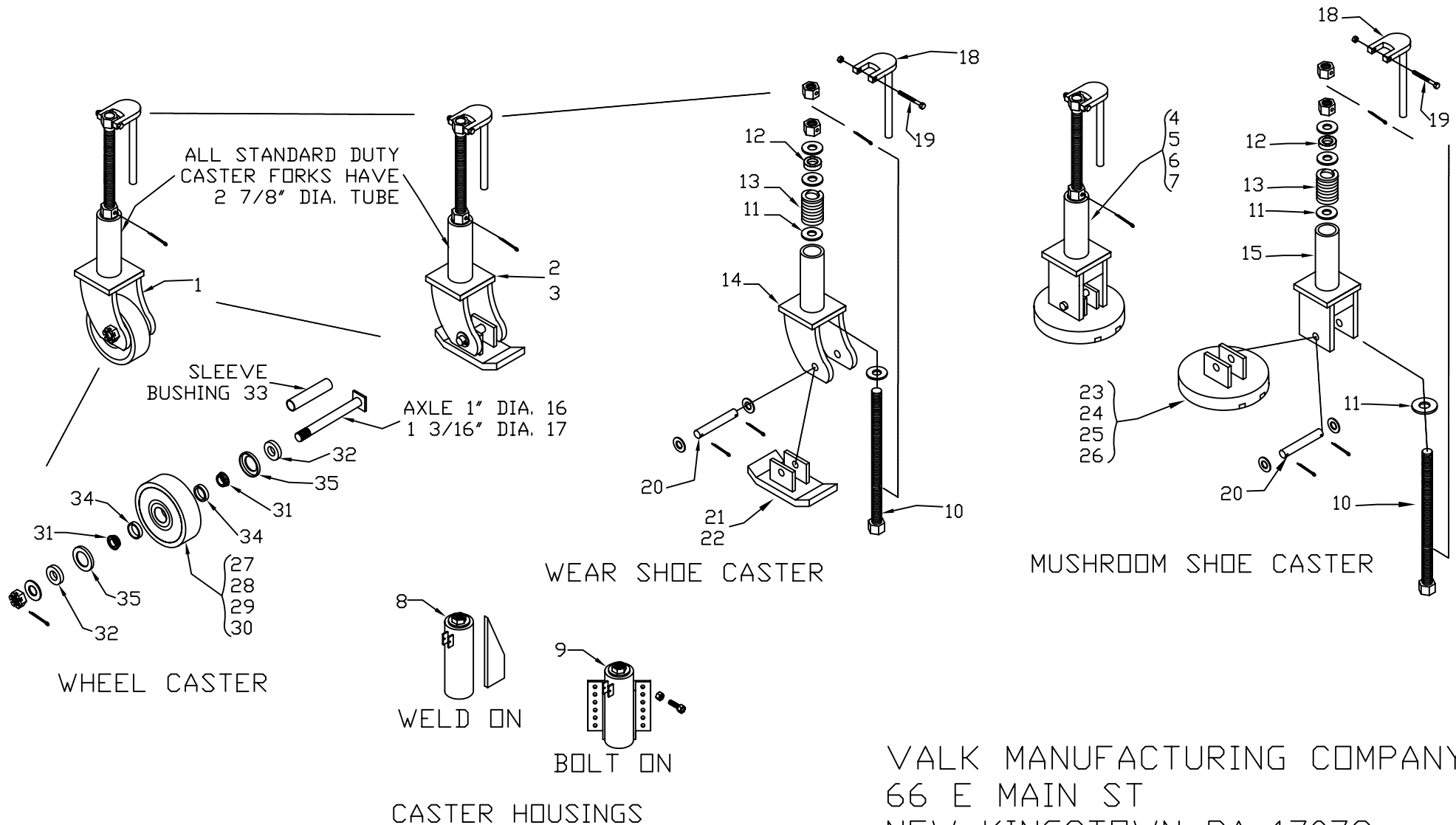
* Not Pictured

WEBSITE: www.valkmfg.com
e-mail: plowsales@valkmfg.com

PHONE: (717)-766-0711
FAX: (717)697-6297

WALK SNOWPLOW

STANDARD DUTY CASTER PARTS



VALK MANUFACTURING COMPANY
 66 E MAIN ST
 NEW KINGSTOWN PA 17072
 PHONE: 717-766-0711
www.valkmfg.com


VALK MANUFACTURING COMPANY
STANDARD DUTY CASTER ASSEMBLY

ITEM	PART	QTY REQ / PLOW	DESCRIPTION	PRICE EA
COMPLETE CASTER ASSEMBLIES - LESS HOUSINGS				
1	OR-400	2	Caster Fork Assembly Complete with Wheel, for 1-3/16" Axle	\$870.00
2	OR-401	2	Caster Fork Assembly Complete with Standard Wear Shoe	\$670.00
3	OR-401-C	2	Caster Fork Assembly Complete with Carbide Wear Shoe	\$798.00
4	OR-401-M	2	Mushroom Fork Assembly with 1-1/2" Mushroom Shoe	\$715.00
5	OR-401-M2	2	Mushroom Fork Assembly with 2" Mushroom Shoe	\$735.00
6	OR-401-M2.5	2	Mushroom Fork Assembly with 2-1/2" Mushroom Shoe	\$755.00
7	OR-401-MC	2	Mushroom Fork Assembly with Carbide Mushroom Shoe	\$815.00
CASTER HOUSINGS				
8	OR-522	2	Caster Housing - Weld in Assy with gusset	\$160.00
9	OR-522-B	2	Caster Housing - Bolt On	\$172.00
CASTER PARTS				
10	OR-531	2	Caster Stem with Nuts	\$84.00
11	OR-535	8	Caster Washer	\$1.65
12	OR-536	2	Thrust Bearing	\$21.00
13	OR-537	2	Caster Spring	\$48.00
14	OR-539	2	Caster Fork	\$360.00
15	OR-539-M	2	Mushroom Caster Fork	\$360.00
16	OR-540	2	Axle with Nut, 1"	\$52.00
17	OR-540A	2	Axle with Nut, 1-3/16"	\$59.00
18	OR-570	2	Caster Handle with Bolt	\$67.00
19	OR-570-B	2	Caster Handle Bolt	\$3.75
20	OR-575	2	Wear Shoe Pin	\$30.00
SKID SHOES & WHEELS				
21	OR-572	2	Wear Shoe	\$134.00
22	OR-572-C	2	Carbide Shoe	\$290.00
23	OR-572-M	2	Mushroom Shoe, 1-1/2"	\$205.00
24	OR-572-M2	2	Mushroom Shoe, 2"	\$210.00
25	OR-572-M2.5	2	Mushroom Shoe, 2-1/2"	\$225.00
26	OR-572-CM	2	Carbide Mushroom Shoe	\$320.00
27	OR-573-8	2	Caster Wheel with Bearings, 8" x 3" for 1" axle	\$325.00
28	OR-573A-8	2	Caster Wheel with Bearings, 8" x 3" for 1-3/16" axle	\$305.00
29	LT-541-8	2	Poly Steel Wheel with Bearings, 8" x 3" for 1" axle	\$410.00
30	LT-541A-8	2	Poly Steel Wheel with Bearings, 8" x 3" for 1-3/16" axle	\$390.00
BEARINGS				
31	14116	4	Bearing, 1-3/16"	\$39.00
32	14116-S	4	Spacer - for 1-3/16" Bearing	\$5.00
33	14116-B	2	Bushing / Sleeve - To convert 1" axle to 1-3/16"	\$21.00
34	14276	4	Race, 1-3/16"	\$14.50
35	17617	4	Seal, 1-3/16"	\$9.00
	07000LA	4	Bearing, 1" with integrated seal	Not Pictured \$31.00
	07196	4	Race, 1"	Not Pictured \$14.00

PRICES EFFECTIVE 9/1/14

 VALK MANUFACTURING COMPANY
 P.O. BOX 428
 NEW KINGSTOWN, PA 17072

 PHONE (717) 766-0711
 FAX (717) 697-6297
 WEBSITE: www.valkmfg.com



CUTTING EDGE PRICE LIST

PART NUMBER	DESCRIPTION	PRICE EA
SPBFSE.5x6x96	1/2" x 6" x 8' Cutting Edge, Standard Highway Punched	\$149.00
SPBFSE.5x6x108	1/2" x 6" x 9' Cutting Edge, Standard Highway Punched	\$168.00
SPBFSE.5x6x120	1/2" x 6" x 10' Cutting Edge, Standard Highway Punched	\$186.00
SPBFSE.5x6x132	1/2" x 6" x 11' Cutting Edge, Standard Highway Punched	\$205.00
SPBFSE.5x6x144	1/2" x 6" x 12' Cutting Edge, Standard Highway Punched	\$220.00
SPBFSE.625x6x96	5/8" x 6" x 8' Cutting Edge, Standard Highway Punched	\$186.00
SPBFSE.625x6x108	5/8" x 6" x 9' Cutting Edge, Standard Highway Punched	\$209.00
SPBFSE.625x6x120	5/8" x 6" x 10' Cutting Edge, Standard Highway Punched	\$232.00
SPBFSE.625x6x132	5/8" x 6" x 11' Cutting Edge, Standard Highway Punched	\$255.00
SPBFSE.625x6x144	5/8" x 6" x 12' Cutting Edge, Standard Highway Punched	\$278.00
SPBFSE.75x6x96	3/4" x 6" x 8' Cutting Edge, Standard Highway Punched	\$223.00
SPBFSE.75x6x108	3/4" x 6" x 9' Cutting Edge, Standard Highway Punched	\$251.00
SPBFSE.75x6x120	3/4" x 6" x 10' Cutting Edge, Standard Highway Punched	\$278.00
SPBFSE.75x6x132	3/4" x 6" x 11' Cutting Edge, Standard Highway Punched	\$306.00
SPBFSE.75x6x144	3/4" x 6" x 12' Cutting Edge, Standard Highway Punched	\$334.00
SPBFSE.5x8x96	1/2" x 8" x 8' Cutting Edge, Standard Highway Punched	\$198.00
SPBFSE.5x8x108	1/2" x 8" x 9' Cutting Edge, Standard Highway Punched	\$222.00
SPBFSE.5x8x120	1/2" x 8" x 10' Cutting Edge, Standard Highway Punched	\$248.00
SPBFSE.5x8x132	1/2" x 8" x 11' Cutting Edge, Standard Highway Punched	\$272.00
SPBFSE.5x8x144	1/2" x 8" x 12' Cutting Edge, Standard Highway Punched	\$297.00
SPBFSE.625x8x96	5/8" x 8" x 8' Cutting Edge, Standard Highway Punched	\$248.00
SPBFSE.625x8x108	5/8" x 8" x 9' Cutting Edge, Standard Highway Punched	\$278.00
SPBFSE.625x8x120	5/8" x 8" x 10' Cutting Edge, Standard Highway Punched	\$309.00
SPBFSE.625x8x132	5/8" x 8" x 11' Cutting Edge, Standard Highway Punched	\$340.00
SPBFSE.625x8x144	5/8" x 8" x 12' Cutting Edge, Standard Highway Punched	\$371.00
SPBFSE.75x8x96	3/4" x 8" x 8' Cutting Edge, Standard Highway Punched	\$297.00
SPBFSE.75x8x108	3/4" x 8" x 9' Cutting Edge, Standard Highway Punched	\$334.00
SPBFSE.75x8x120	3/4" x 8" x 10' Cutting Edge, Standard Highway Punched	\$371.00
SPBFSE.75x8x132	3/4" x 8" x 11' Cutting Edge, Standard Highway Punched	\$408.00
SPBFSE.75x8x144	3/4" x 8" x 12' Cutting Edge, Standard Highway Punched	\$446.00

PRICES EFFECTIVE 9/1/14

VALK MANUFACTURING COMPANY
P.O. BOX 428
NEW KINGSTOWN, PA 17072

PHONE: (717) 766-0711
FAX: (717) 697-6297
WEBSITE: www.valkmfg.com

VALK MANUFACTURING COMPANY

TRIP CYLINDER / MOUNTING ADJUSTMENT

FIRST ADJUSTMENT

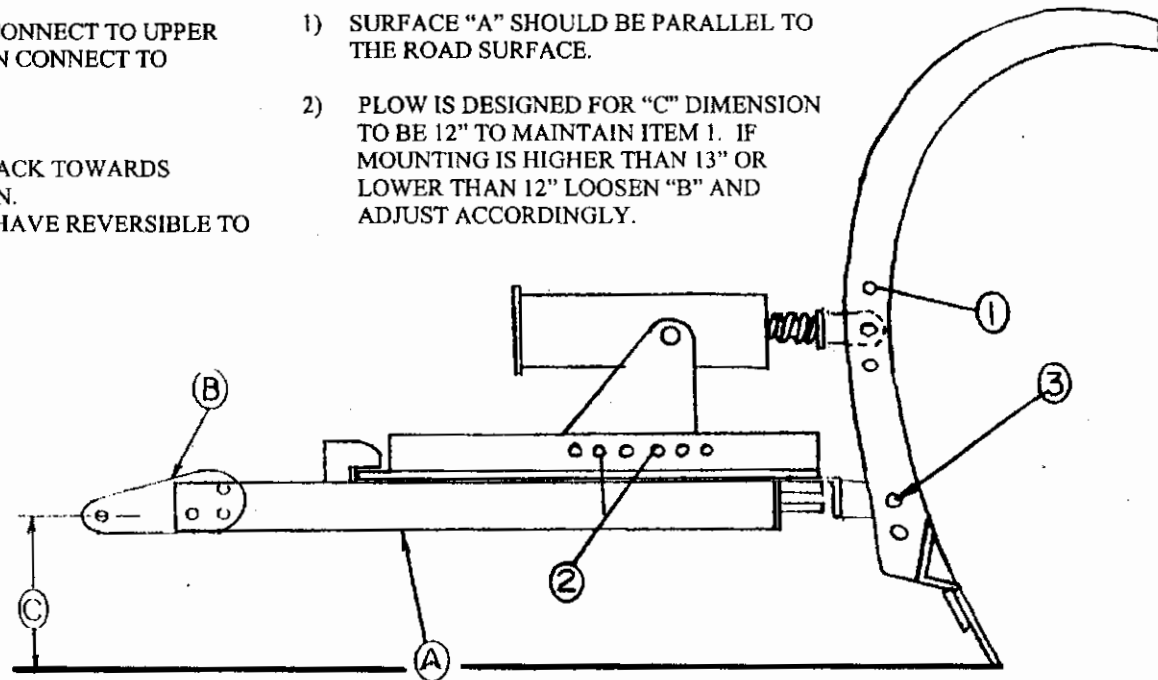
TO INCREASE TRIP TENSION CONNECT TO UPPER HOLE. TO DECREASE TENSION CONNECT TO LOWER HOLE.

SECOND ADJUSTMENT

ADJUST TRUNNION PLATES BACK TOWARDS TRUCK TO INCREASE TENSION.
NOTE: SOME MODEL PLOWS HAVE REVERSIBLE TO OPPOSITE SIDES.

HEIGHT ADJUSTMENT

- 1) SURFACE "A" SHOULD BE PARALLEL TO THE ROAD SURFACE.
- 2) PLOW IS DESIGNED FOR "C" DIMENSION TO BE 12" TO MAINTAIN ITEM 1. IF MOUNTING IS HIGHER THAN 13" OR LOWER THAN 12" LOOSEN "B" AND ADJUST ACCORDINGLY.



THIRD ADJUSTMENT

FOR ADDED TRIP TENSION PLACE PIN IN LOWER HOLE

DEPENDING ON SNOW CONDITIONS DIFFERENT SETTINGS WILL HAVE TO BE USED. PLOW SPEED WILL

VALK MANUFACTURING COMPANY

EXPOSED COMPRESSION TRIP ASSEMBLY ADJUSTMENT

Plow Adjustments

1. Adjust mushroom shoes with the full weight of the plow on the cutting edge. Adjust mushroom shoe to touch the ground.
2. Plow Trip Adjustment
 - a. Exposed compression spring trip adjustment:
 - i. To increase trip tension and angle of attack from the vertical plane, unbolt top of compression trip assembly and reposition to a higher hole on the fixed mounting lug.
 - ii. To decrease trip tension and angle of attack from the vertical plane, unbolt top of compression trip assembly and reposition to a lower hole on the fixed mounting lug.

